



## **Features**

- IR 521UT is 5" (127) deep and has a 2-3/4" (69.9) sightline  
{Expansion mullions have a 3" (76.2) sightline}
- Screw Spline fabrication
- IR 521UT Dual Isolock® lanced pour and debridge thermal break
- Center glazed
- Outside or inside glazed
- Permanodic® anodized finishes option
- Painted finishes in standard and custom choices

## **Optional Features**

- Integrated entrance framing
- 350/500 IR Entrances - single or pairs
- 350/500 Heavy Wall™ Entrances - single or pairs
- 350T/500T Insulpour® thermal entrances - single or pairs
- Flushline® Entrances - single or pairs
- Strap anchor at head and jamb

## **Product Applications**

- Impact resistant
- Storefront, ribbon window or punched opening
- Low to mid-rise
- Single span
- GLASSvent® UT Windows for Storefront Framing are easily incorporated

For specific product applications,  
consult your Kawneer representative.



Laws and building and safety codes governing the design and use of Kawneer products, such as glazed entrance, window, and curtain wall products, vary widely. Kawneer does not control the selection of product configurations, operating hardware, or glazing materials, and assumes no responsibility therefor.

Kawneer reserves the right to change configuration without prior notice when deemed necessary for product improvement.  
© 2024, Kawneer Company, Inc.



**FIELD GLAZED FRAMING DETAILS OUTSIDE GLAZED**  
    **(OUTSIDE GLAZED - STOPS UP - WET GLAZED)..... 4-9**  
    **(OUTSIDE GLAZED - STOPS UP - DRY GLAZED) ..... 10-15**  
**FIELD GLAZED FRAMING DETAILS INSIDE GLAZED**  
    **(INSIDE GLAZED - STOPS DOWN - WET GLAZED) ..... 16-21**  
    **(INSIDE GLAZED - STOPS DOWN - DRY GLAZED)..... 22-27**  
**PRE-GLAZED FRAMING DETAILS OUTSIDE GLAZED**  
    **(OUTSIDE GLAZED - STOPS UP - WET GLAZED)..... 28-32**  
    **(OUTSIDE GLAZED - STOPS UP - DRY GLAZED) ..... 33-37**  
**PRE-GLAZED FRAMING DETAILS INSIDE GLAZED**  
    **(INSIDE GLAZED - STOPS UP - WET GLAZED)..... 38-42**  
    **(INSIDE GLAZED - STOPS UP - DRY GLAZED) ..... 43-47**  
**ENTRANCE FRAMING DETAILS.....48**  
**WIND LOAD CHARTS ..... 49-58**  
**DEADLOAD CHARTS ..... 59-62**  
**THERMAL CHARTS ..... 63-65**

Metric (SI) conversion figures are included throughout these details for reference. Numbers in parentheses ( ) are millimeters unless otherwise noted.

The following metric (SI ) units are found in these details:

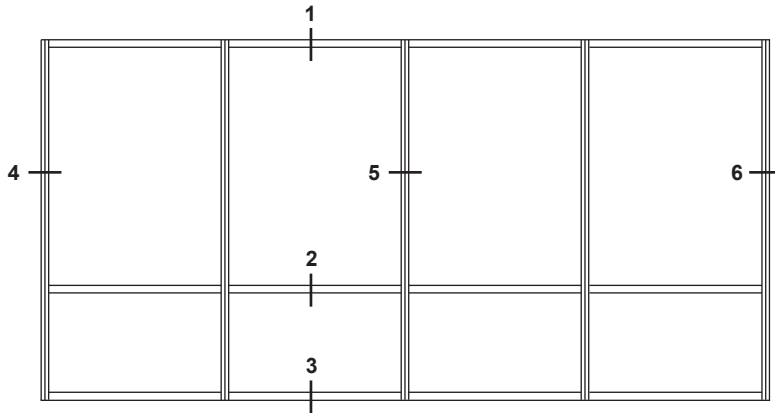
- m – meter
- cm – centimeter
- mm – millimeter
- s – second
- Pa – pascal
- MPa – megapascal

Laws and building and safety codes governing the design and use of Kawneer products, such as glazed entrance, window, and curtain wall products, vary widely. Kawneer does not control the selection of product configurations, operating hardware, or glazing materials, and assumes no responsibility therefor.

Kawneer reserves the right to change configuration without prior notice when deemed necessary for product improvement.  
© 2024, Kawneer Company, Inc.



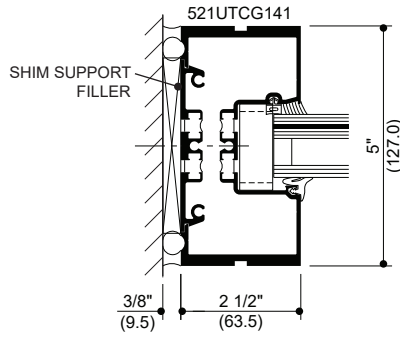
Additional information and CAD details are available at [www.kawneer.com](http://www.kawneer.com)



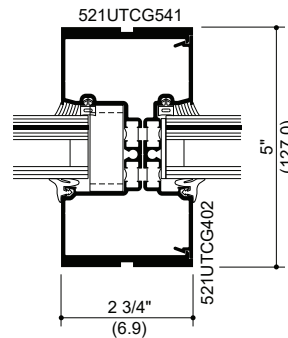
ELEVATION IS NUMBER KEYED TO DETAILS



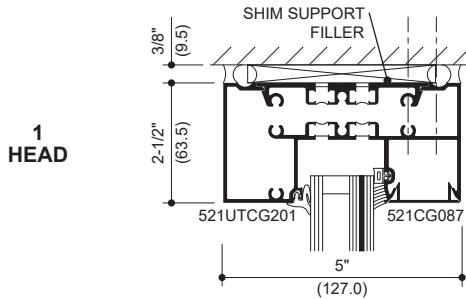
IR 521UT Double IsoLock®  
THERMAL BREAK



4  
JAMB

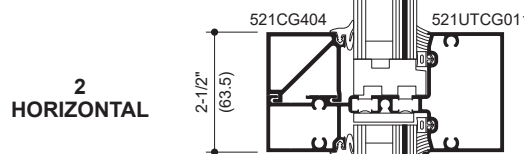


5  
VERTICAL MULLION



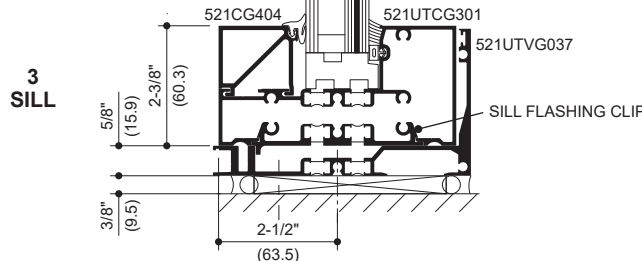
1  
HEAD

1-5/16" INFILL  
(FIELD GLAZED - WET GLAZED)



2  
HORIZONTAL

Structural Silicone Sealant  
(by Others)\*

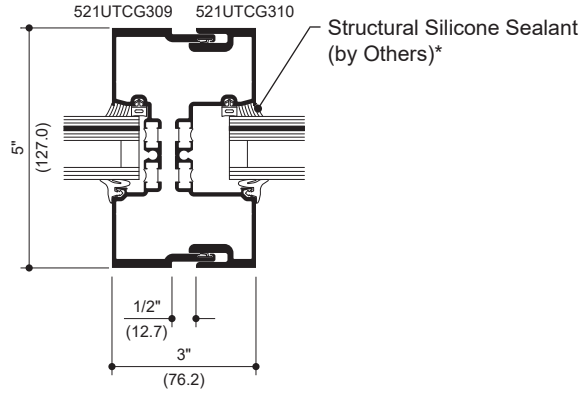


3  
SILL

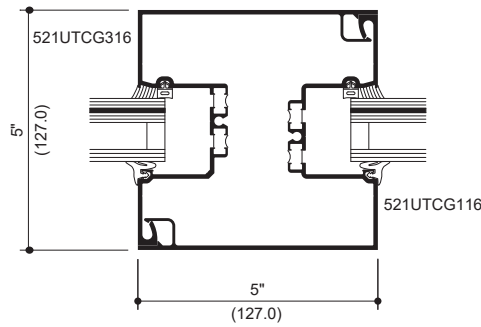
\* INSTALLER NOTE: Installer is responsible for all required compatibility review and approvals with the Structural Silicone Manufacturer and the Insulating Glass Unit Manufacturer.

Additional information and CAD details are available at [www.kawneer.com](http://www.kawneer.com)

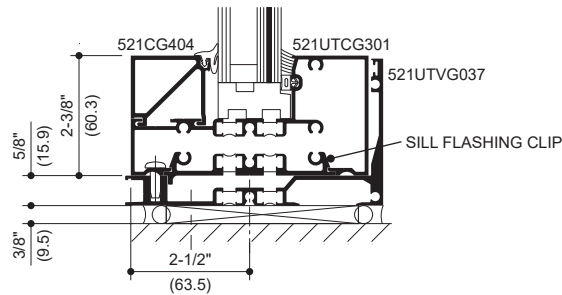
### 1-5/16" INFILL (FIELD GLAZED - WET GLAZED)



**EXPANSION MULLION**



**5" x 5" MULLION**



**PINNED HORIZONTAL TO SILL FLASHING**

**\* INSTALLER NOTE:** Installer is responsible for all required compatibility review and approvals with the Structural Silicone Manufacturer and the Insulating Glass Unit Manufacturer.

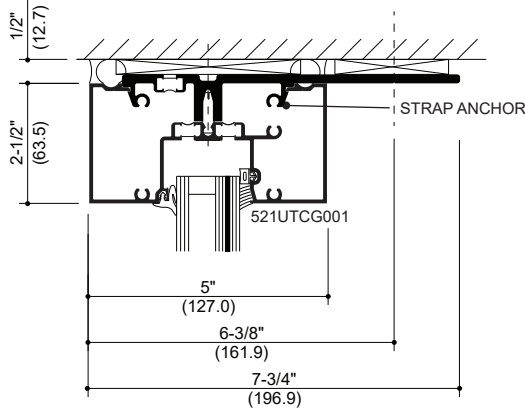
Laws and building and safety codes governing the design and use of Kawneer products, such as glazed entrance, window, and curtain wall products, vary widely. Kawneer does not control the selection of product configurations, operating hardware, or glazing materials, and assumes no responsibility therefor.

Kawneer reserves the right to change configuration without prior notice when deemed necessary for product improvement.  
© 2024, Kawneer Company, Inc.

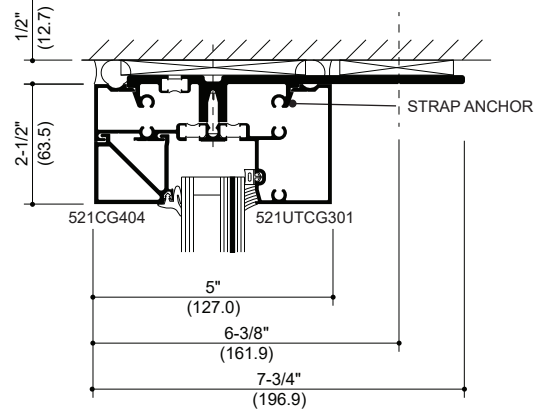


Additional information and CAD details are available at [www.kawneer.com](http://www.kawneer.com)

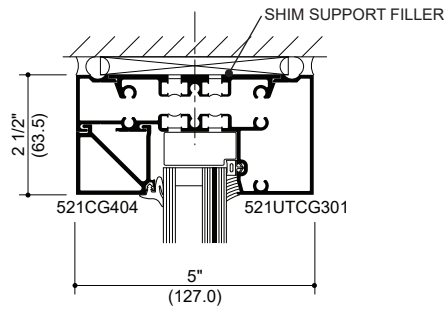
## 1-5/16" INFILL (FIELD GLAZED - WET GLAZED)



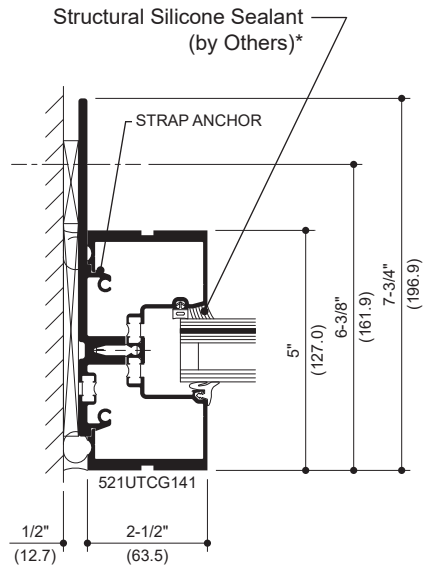
**HEAD**



**OPTIONAL HEAD WITH STOP**



**OPTIONAL HEAD WITH STOP**



**JAMB**

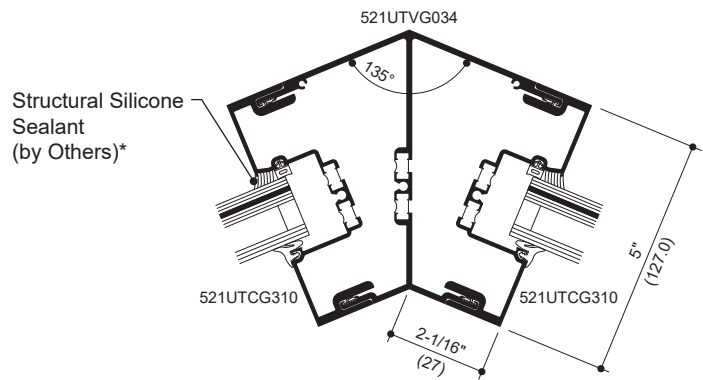
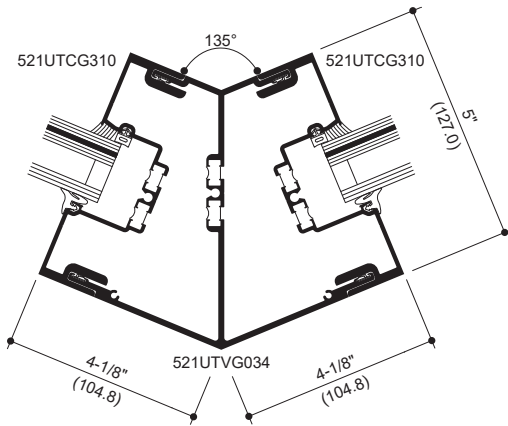
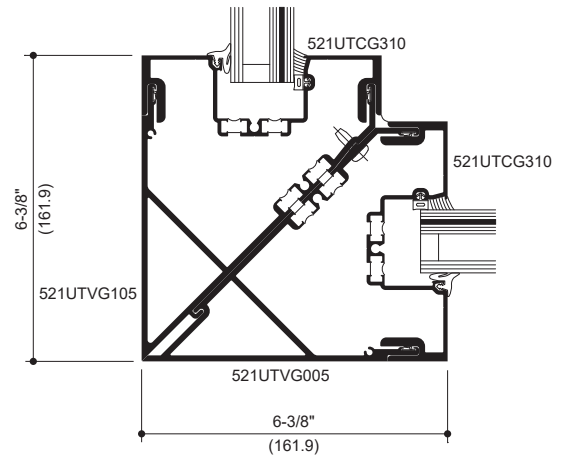
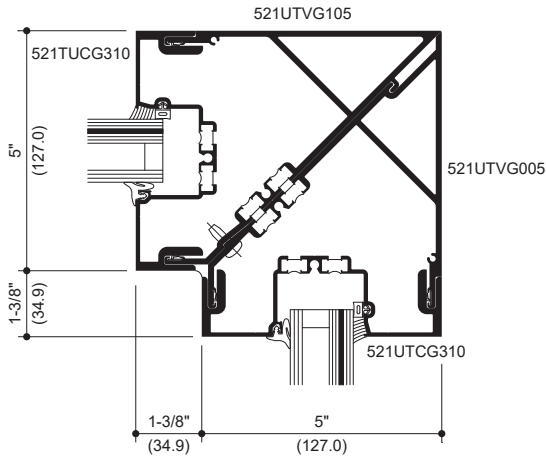
\* **INSTALLER NOTE:** Installer is responsible for all required compatibility review and approvals with the Structural Silicone Manufacturer and the Insulating Glass Unit Manufacturer.

Laws and building and safety codes governing the design and use of Kawneer products, such as glazed entrance, window, and curtain wall products, vary widely. Kawneer does not control the selection of product configurations, operating hardware, or glazing materials, and assumes no responsibility therefor.

Kawneer reserves the right to change configuration without prior notice when deemed necessary for product improvement.  
© 2024, Kawneer Company, Inc.

Additional information and CAD details are available at [www.kawneer.com](http://www.kawneer.com)

### 1-5/16" INFILL (FIELD GLAZED - WET GLAZED)



\* **INSTALLER NOTE:** Installer is responsible for all required compatibility review and approvals with the Structural Silicone Manufacturer and the Insulating Glass Unit Manufacturer.

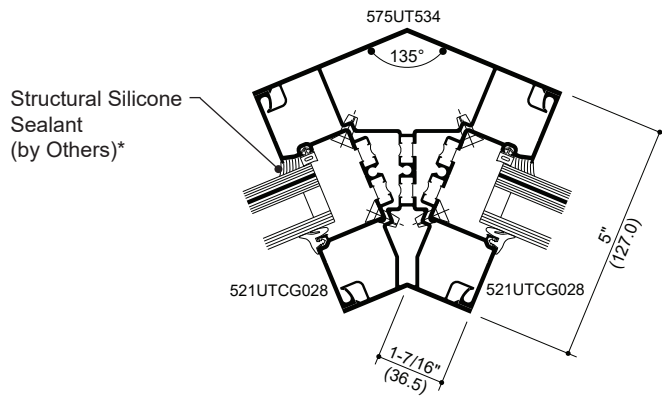
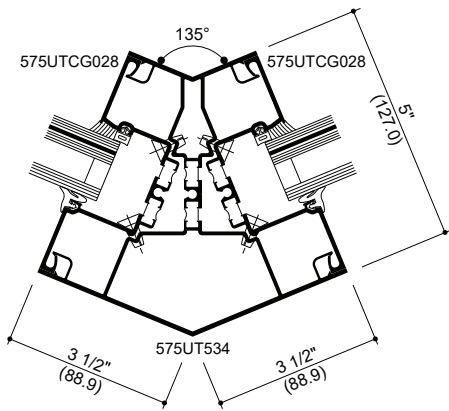
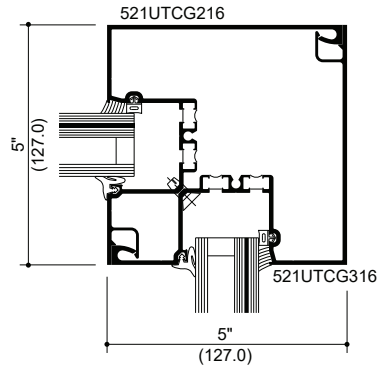
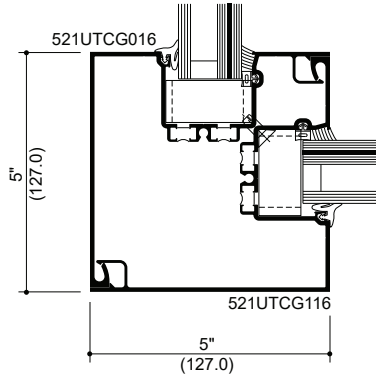
Laws and building and safety codes governing the design and use of Kawneer products, such as glazed entrance, window, and curtain wall products, vary widely. Kawneer does not control the selection of product configurations, operating hardware, or glazing materials, and assumes no responsibility therefor.

Kawneer reserves the right to change configuration without prior notice when deemed necessary for product improvement.  
© 2024, Kawneer Company, Inc.



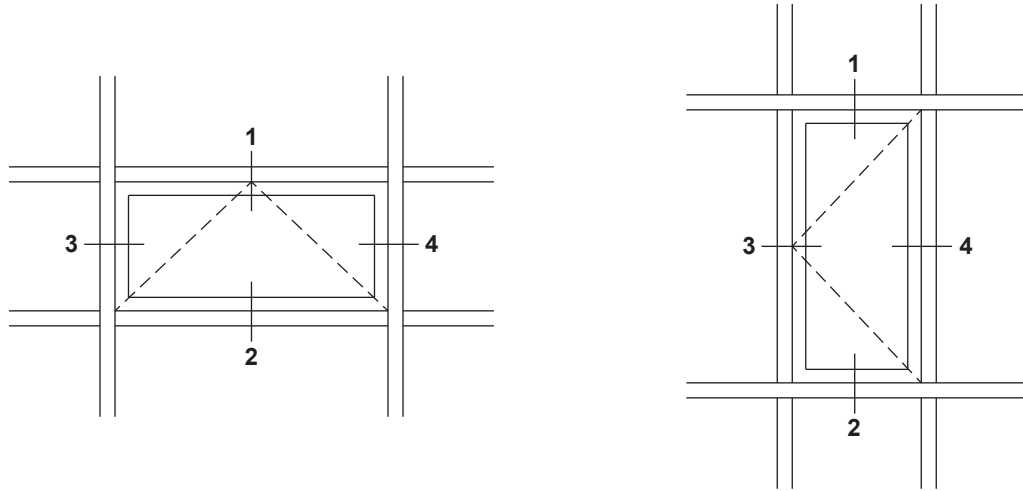
Additional information and CAD details are available at [www.kawneer.com](http://www.kawneer.com)

## 1-5/16" INFILL (FIELD GLAZED - WET GLAZED)



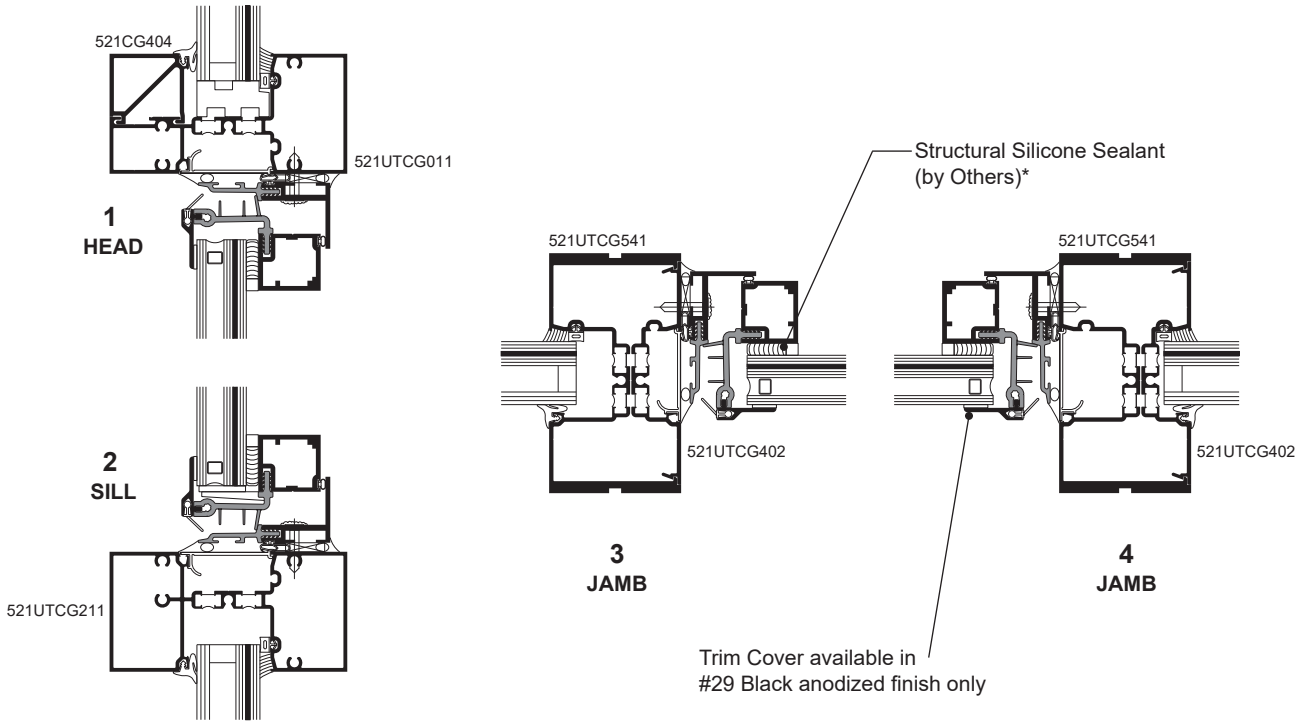
\* INSTALLER NOTE: Installer is responsible for all required compatibility review and approvals with the Structural Silicone Manufacturer and the Insulating Glass Unit Manufacturer.

**1-5/16" INFILL (FIELD GLAZED - WET GLAZED)**



Laws and building and safety codes governing the design and use of Kawneer products, such as glazed entrance, window, and curtain wall products, vary widely. Kawneer does not control the selection of product configurations, operating hardware, or glazing materials, and assumes no responsibility therefor.

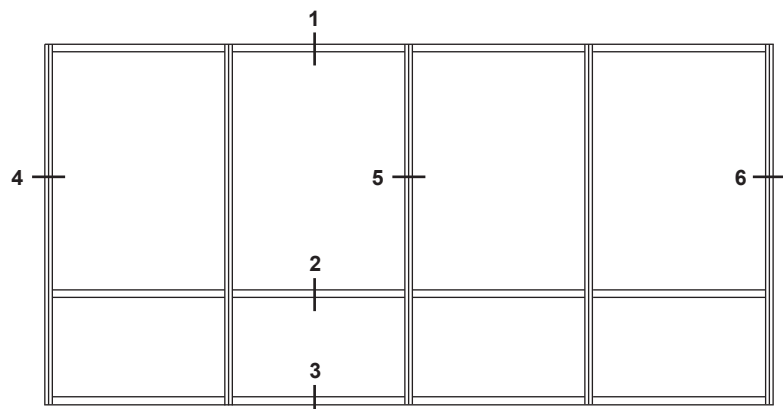
Kawneer reserves the right to change configuration without prior notice when deemed necessary for product improvement.  
 © 2024, Kawneer Company, Inc.



\* **INSTALLER NOTE:** Installer is responsible for all required compatibility review and approvals with the Structural Silicone, Structural Glazing Tape, and Insulating Glass Unit Manufacturers.



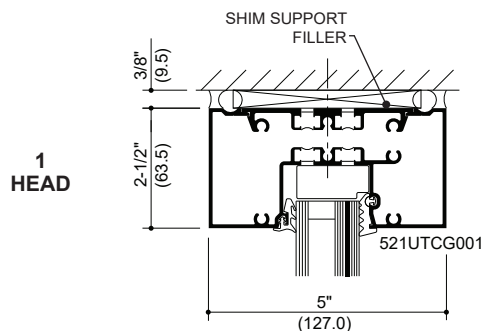
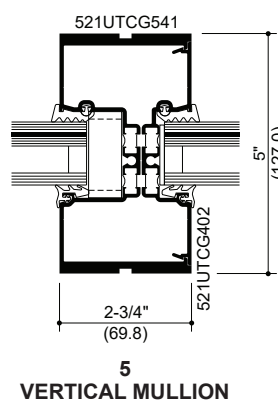
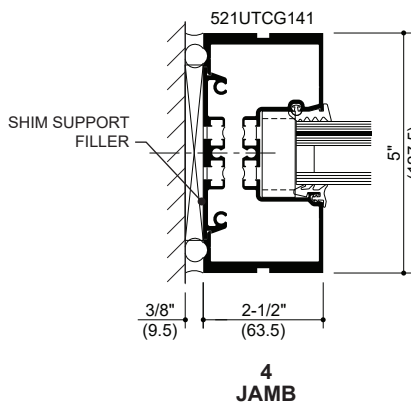
Additional information and CAD details are available at [www.kawneer.com](http://www.kawneer.com)



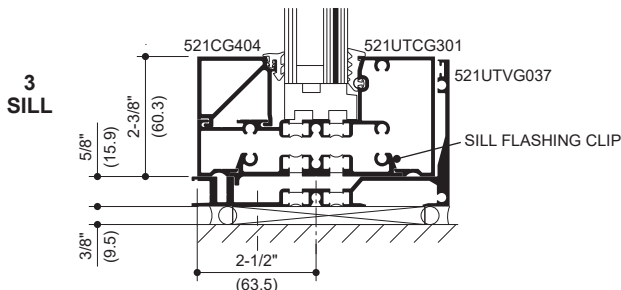
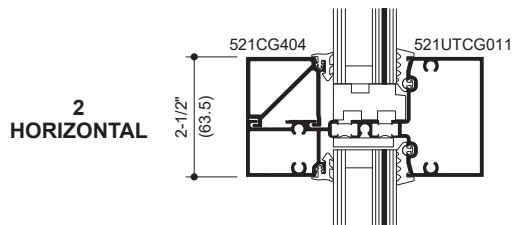
ELEVATION IS NUMBER KEYED TO DETAILS



IR 521UT Double IsoLock®  
THERMAL BREAK



1-5/16" INFILL  
(FIELD GLAZED - DRY GLAZED)

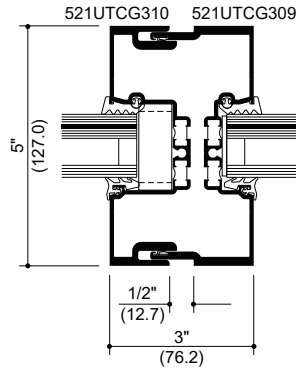


Laws and building and safety codes governing the design and use of Kawneer products, such as glazed entrance, window, and curtain wall products, vary widely. Kawneer does not control the selection of product configurations, operating hardware, or glazing materials, and assumes no responsibility therefor.

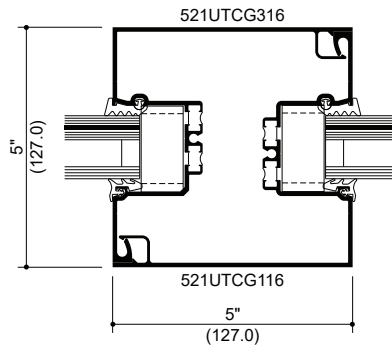
Kawneer reserves the right to change configuration without prior notice when deemed necessary for product improvement.  
© 2024, Kawneer Company, Inc.

Additional information and CAD details are available at [www.kawneer.com](http://www.kawneer.com)

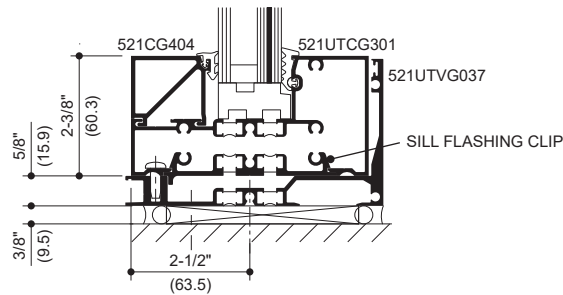
### 1-5/16" INFILL (FIELD GLAZED - DRY GLAZED)



**EXPANSION MULLION**



**5" x 5" MULLION**



**PINNED HORIZONTAL TO SILL FLASHING**

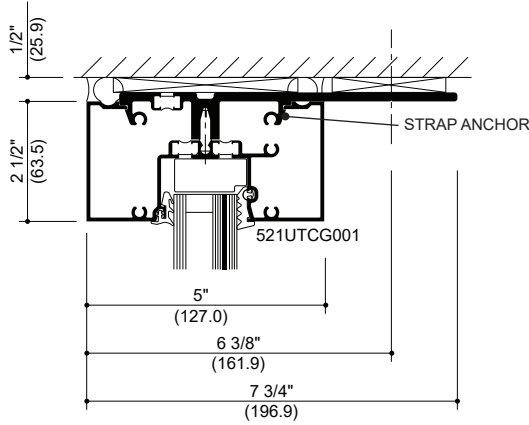
Laws and building and safety codes governing the design and use of Kawneer products, such as glazed entrance, window, and curtain wall products, vary widely. Kawneer does not control the selection of product configurations, operating hardware, or glazing materials, and assumes no responsibility therefor.

Kawneer reserves the right to change configuration without prior notice when deemed necessary for product improvement.  
© 2024, Kawneer Company, Inc.

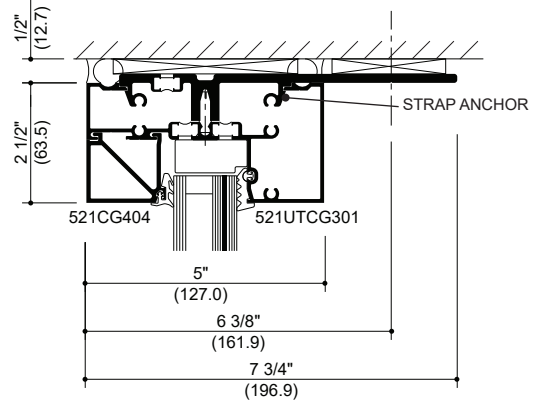


Additional information and CAD details are available at [www.kawneer.com](http://www.kawneer.com)

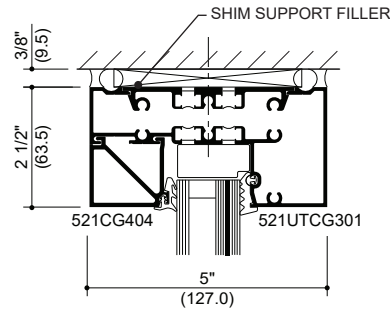
## 1-5/16" INFILL (FIELD GLAZED - DRY GLAZED)



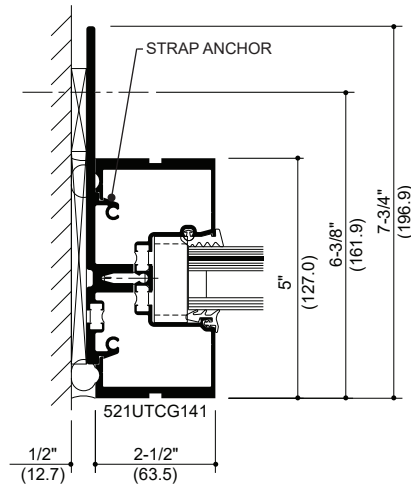
HEAD



OPTIONAL HEAD WITH STOP



OPTIONAL HEAD WITH STOP



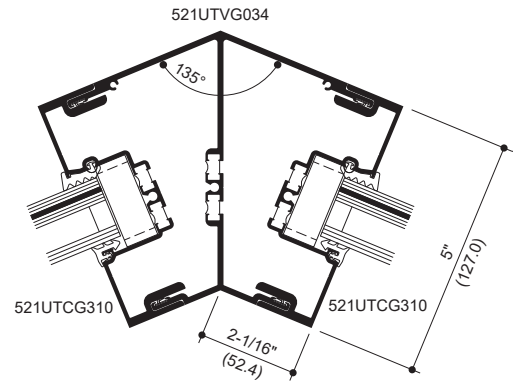
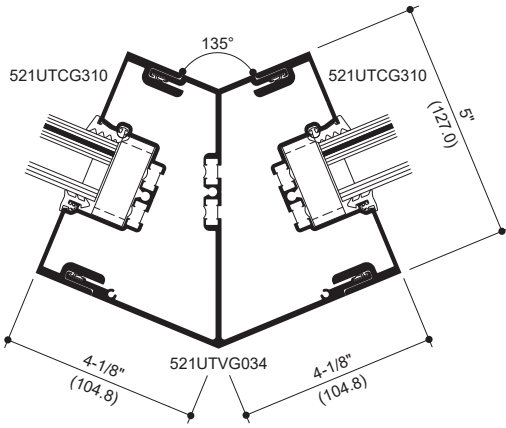
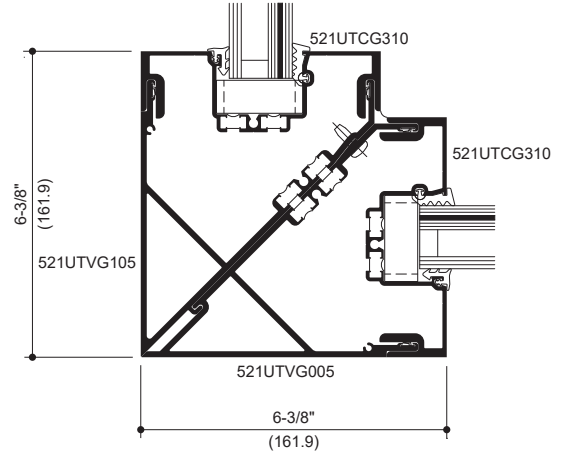
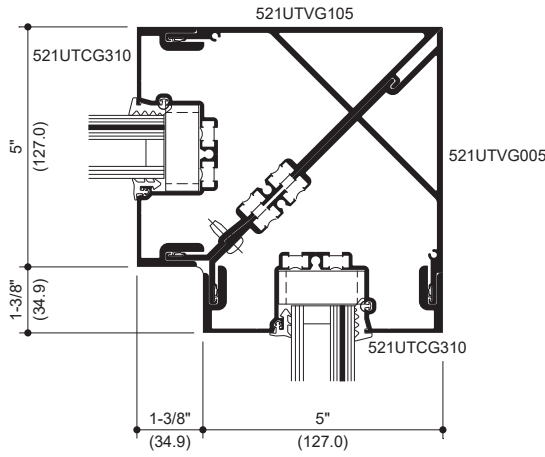
JAMB

Laws and building and safety codes governing the design and use of Kawneer products, such as glazed entrance, window, and curtain wall products, vary widely. Kawneer does not control the selection of product configurations, operating hardware, or glazing materials, and assumes no responsibility therefor.

Kawneer reserves the right to change configuration without prior notice when deemed necessary for product improvement.  
© 2024, Kawneer Company, Inc.

Additional information and CAD details are available at [www.kawneer.com](http://www.kawneer.com)

### 1-5/16" INFILL (FIELD GLAZED - DRY GLAZED)



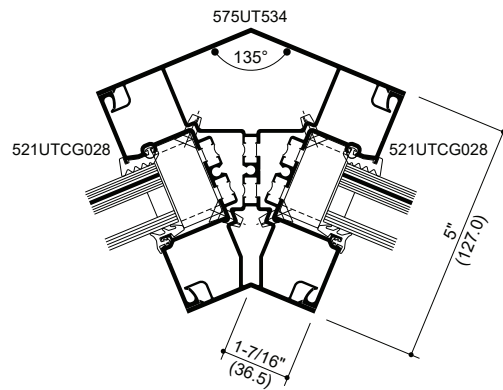
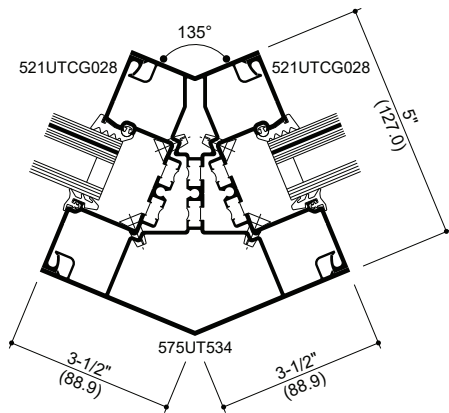
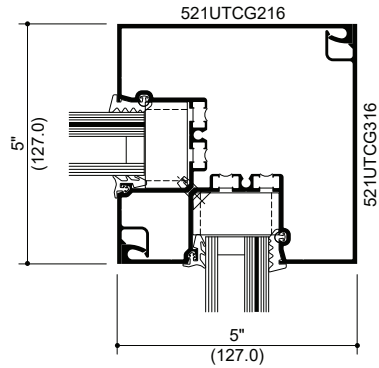
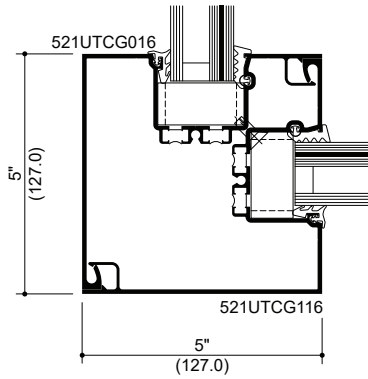
Laws and building and safety codes governing the design and use of Kawneer products, such as glazed entrance, window, and curtain wall products, vary widely. Kawneer does not control the selection of product configurations, operating hardware, or glazing materials, and assumes no responsibility therefor.

Kawneer reserves the right to change configuration without prior notice when deemed necessary for product improvement.  
© 2024, Kawneer Company, Inc.



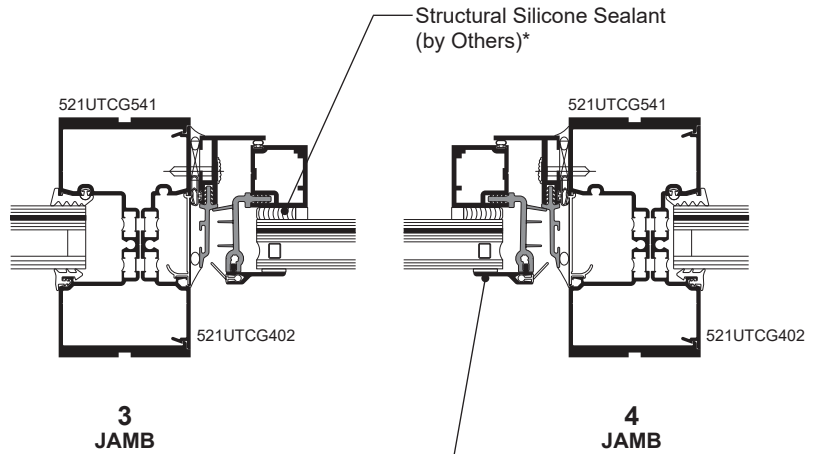
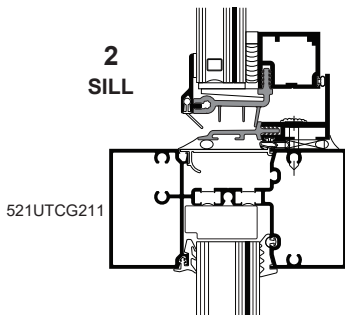
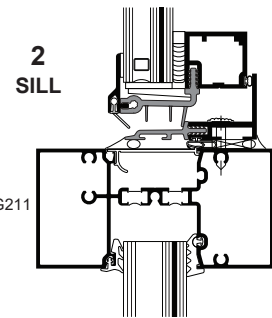
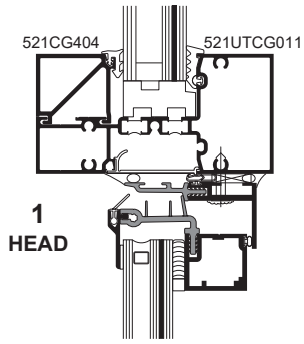
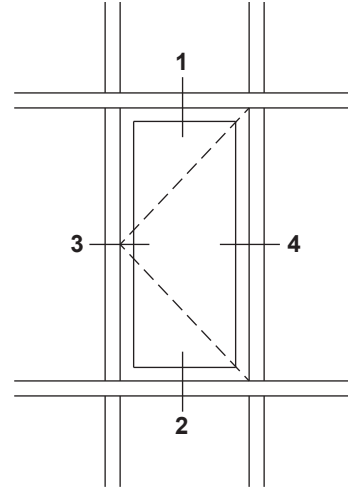
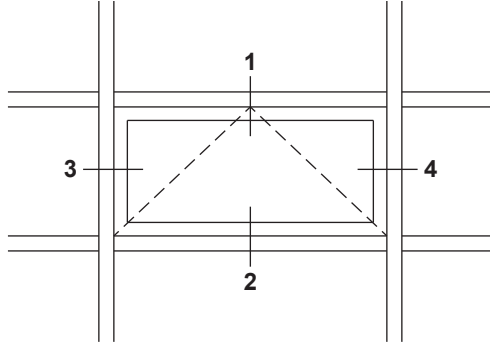
Additional information and CAD details are available at [www.kawneer.com](http://www.kawneer.com)

## 1-5/16" INFILL (FIELD GLAZED - DRY GLAZED)



\* **INSTALLER NOTE:** Installer is responsible for all required compatibility review and approvals with the Structural Silicone Manufacturer and the Insulating Glass Unit Manufacturer.

## 1-5/16" INFILL (FIELD GLAZED - DRY GLAZED)



Trim Cover available in #29 Black anodized finish only

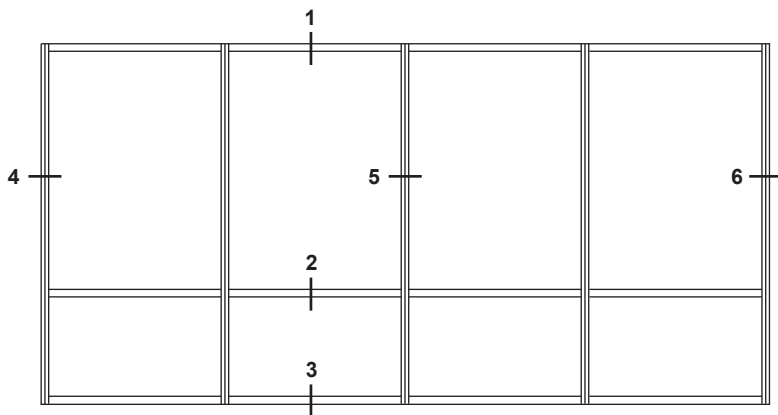
\* **INSTALLER NOTE:** Installer is responsible for all required compatibility review and approvals with the Structural Silicone, Structural Glazing Tape, and Insulating Glass Unit Manufacturers.

Laws and building and safety codes governing the design and use of Kawneer products, such as glazed entrance, window, and curtain wall products, vary widely. Kawneer does not control the selection of product configurations, operating hardware, or glazing materials, and assumes no responsibility therefor.

Kawneer reserves the right to change configuration without prior notice when deemed necessary for product improvement.  
© 2024, Kawneer Company, Inc.

 HURRICANE RESISTANT PRODUCT

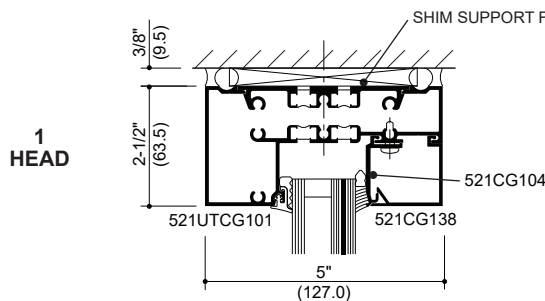
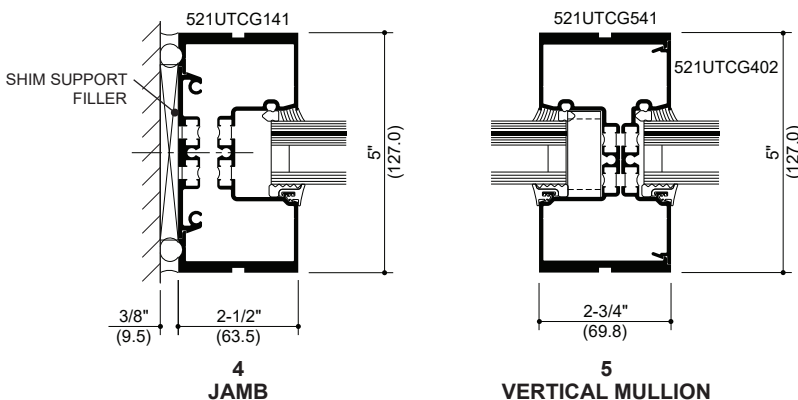
Additional information and CAD details are available at [www.kawneer.com](http://www.kawneer.com)



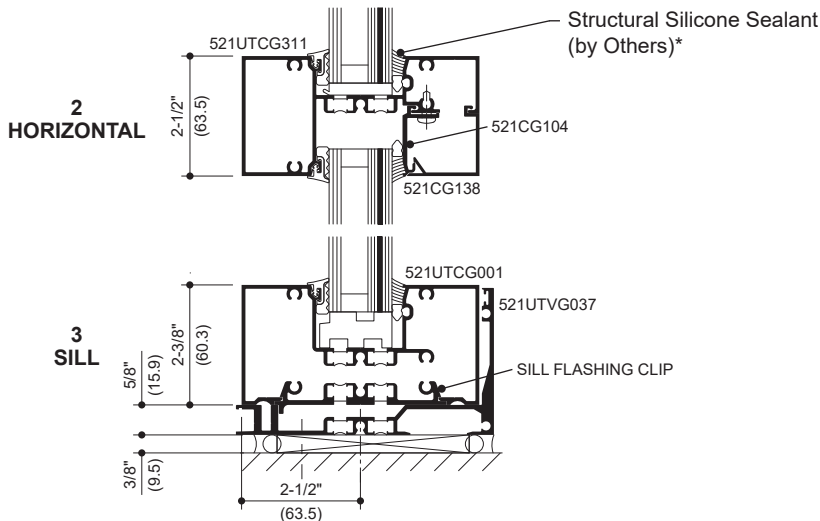
ELEVATION IS NUMBER KEYED TO DETAILS



IR 521UT Double IsoLock®  
THERMAL BREAK



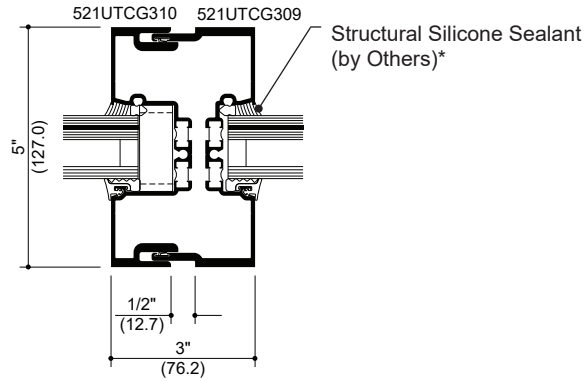
1-5/16" INFILL  
(FIELD GLAZED - WET GLAZED)



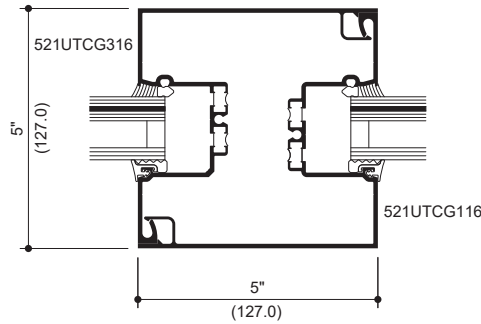
\* INSTALLER NOTE: Installer is responsible for all required compatibility review and approvals with the Structural Silicone Manufacturer and the Insulating Glass Unit Manufacturer.

Additional information and CAD details are available at [www.kawneer.com](http://www.kawneer.com)

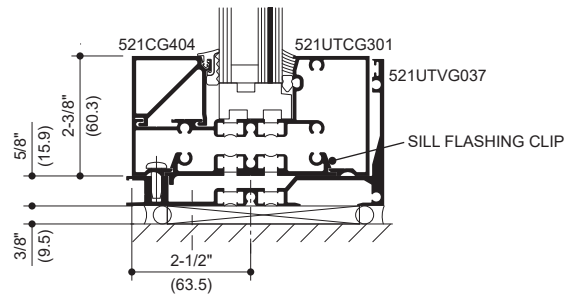
### 1-5/16" INFILL (FIELD GLAZED - WET GLAZED)



**EXPANSION MULLION**



**5" x 5" MULLION**



**PINNED HORIZONTAL TO SILL FLASHING**

\* **INSTALLER NOTE:** Installer is responsible for all required compatibility review and approvals with the Structural Silicone Manufacturer and the Insulating Glass Unit Manufacturer.

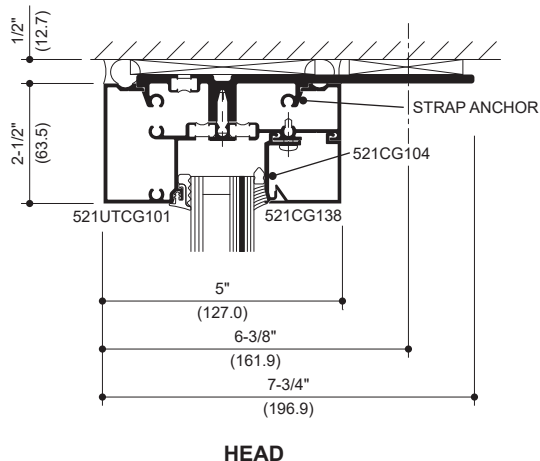
Laws and building and safety codes governing the design and use of Kawneer products, such as glazed entrance, window, and curtain wall products, vary widely. Kawneer does not control the selection of product configurations, operating hardware, or glazing materials, and assumes no responsibility therefor.

Kawneer reserves the right to change configuration without prior notice when deemed necessary for product improvement.  
© 2024, Kawneer Company, Inc.

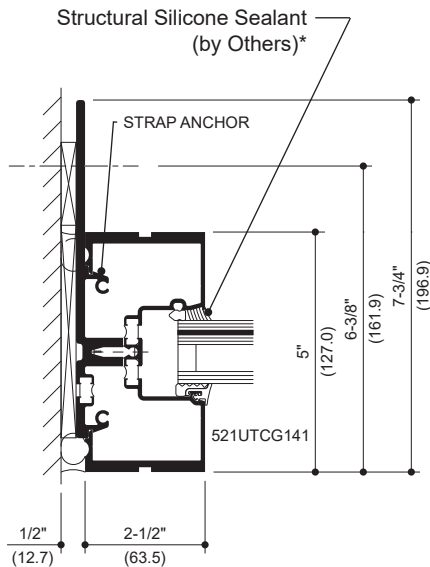


Additional information and CAD details are available at [www.kawneer.com](http://www.kawneer.com)

## 1-5/16" INFILL (FIELD GLAZED - WET GLAZED)



HEAD

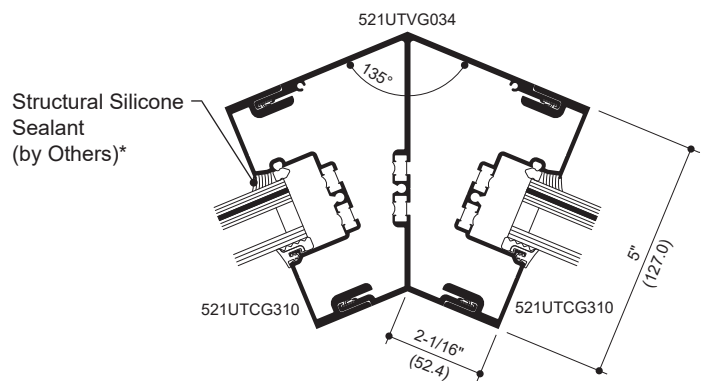
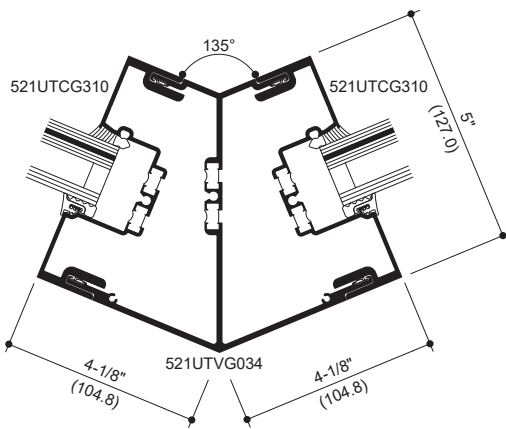
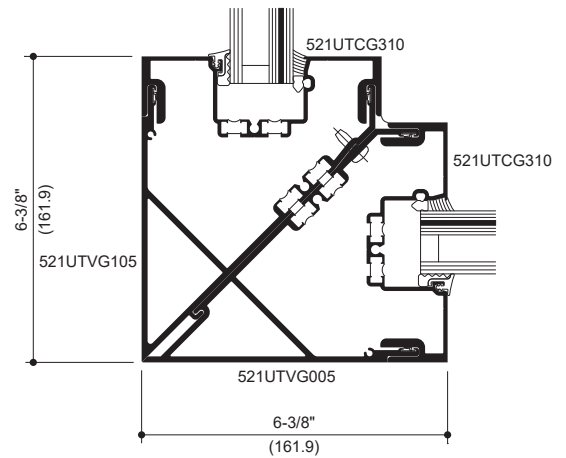
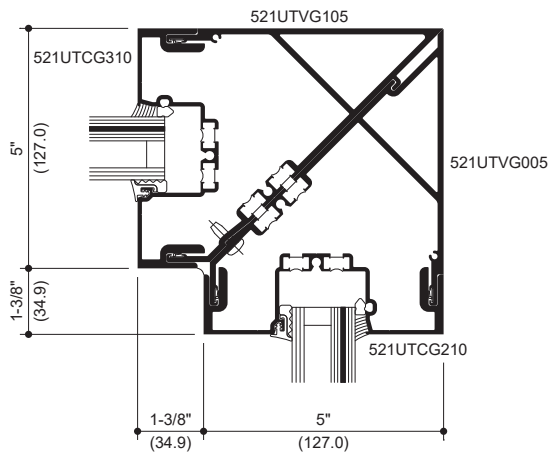


JAMB

\* INSTALLER NOTE: Installer is responsible for all required compatibility review and approvals with the Structural Silicone Manufacturer and the Insulating Glass Unit Manufacturer.

Additional information and CAD details are available at [www.kawneer.com](http://www.kawneer.com)

### 1-5/16" INFILL (FIELD GLAZED - WET GLAZED)



\* **INSTALLER NOTE:** Installer is responsible for all required compatibility review and approvals with the Structural Silicone Manufacturer and the Insulating Glass Unit Manufacturer.

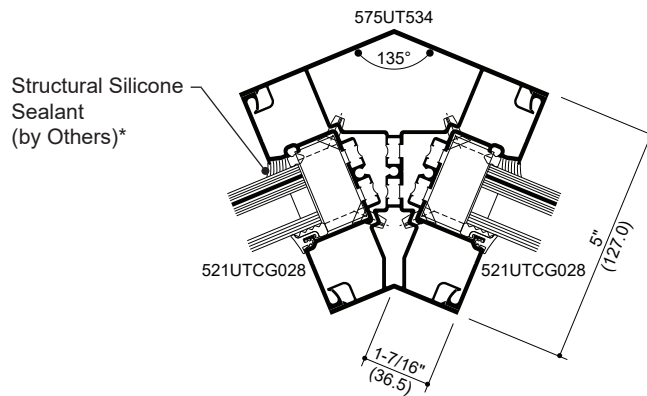
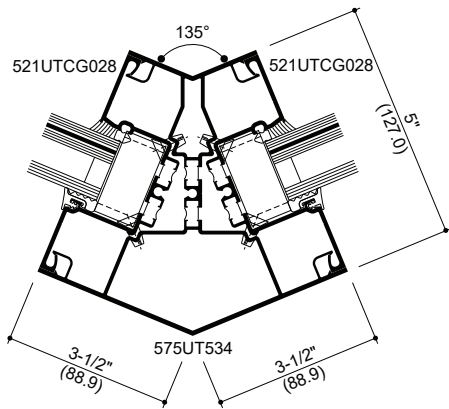
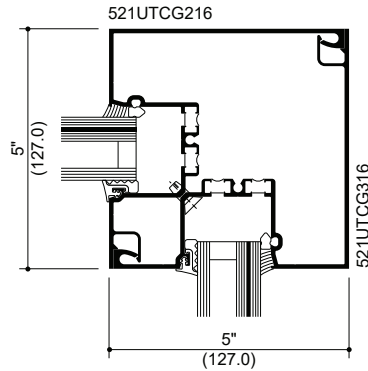
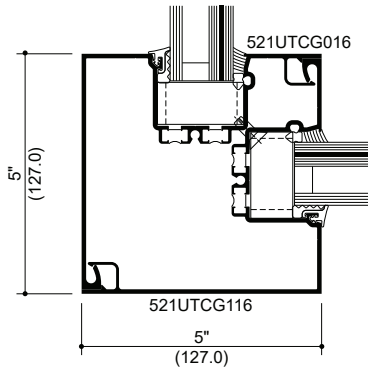
Laws and building and safety codes governing the design and use of Kawneer products, such as glazed entrance, window, and curtain wall products, vary widely. Kawneer does not control the selection of product configurations, operating hardware, or glazing materials, and assumes no responsibility therefor.

Kawneer reserves the right to change configuration without prior notice when deemed necessary for product improvement.  
© 2024, Kawneer Company, Inc.



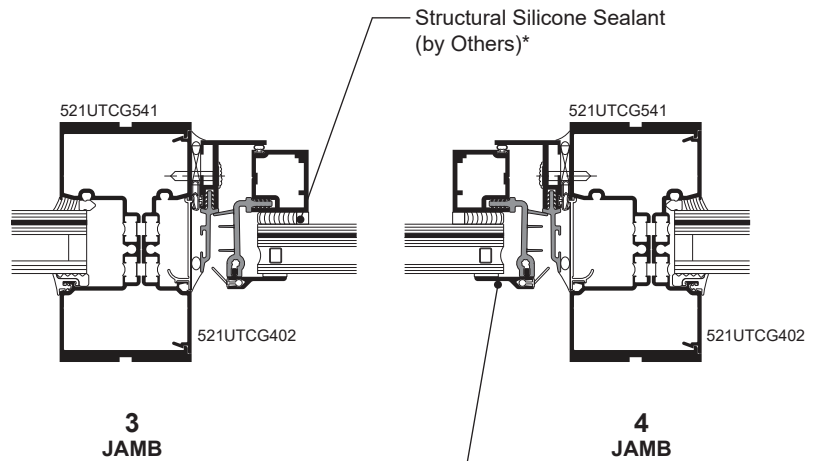
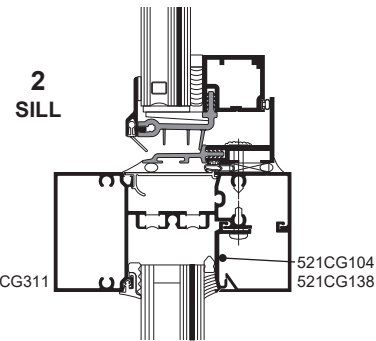
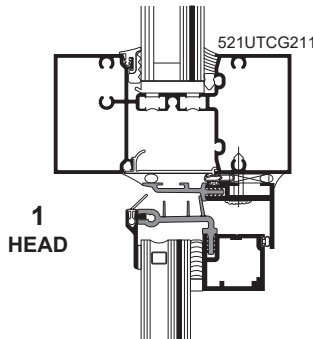
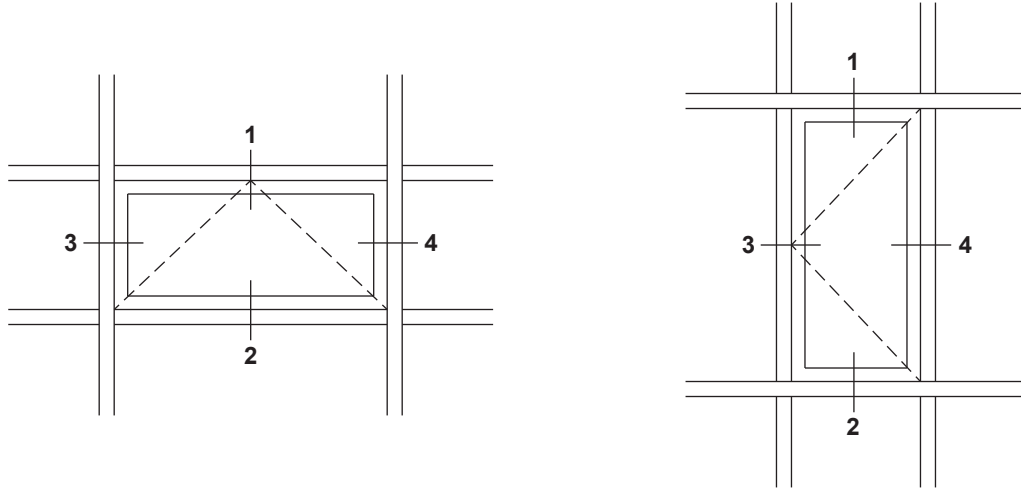
Additional information and CAD details are available at [www.kawneer.com](http://www.kawneer.com)

## 1-5/16" INFILL (FIELD GLAZED - WET GLAZED)



\* **INSTALLER NOTE:** Installer is responsible for all required compatibility review and approvals with the Structural Silicone Manufacturer and the Insulating Glass Unit Manufacturer.

## 1-5/16" INFILL (FIELD GLAZED - WET GLAZED)



Trim Cover available in #29 Black anodized finish only

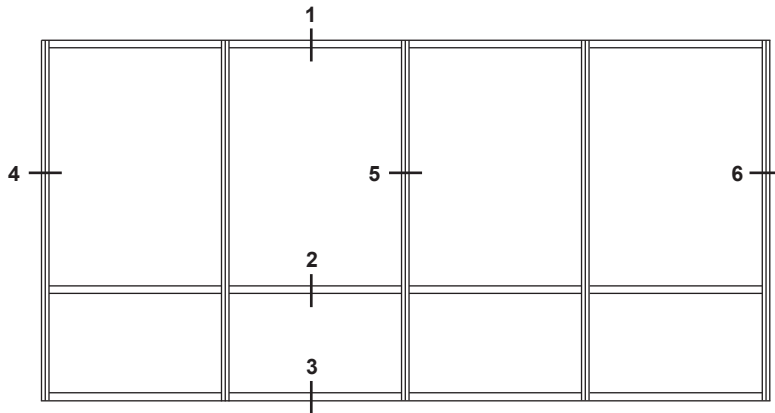
**\* INSTALLER NOTE:** Installer is responsible for all required compatibility review and approvals with the Structural Silicone, Structural Glazing Tape, and Insulating Glass Unit Manufacturers.

Laws and building and safety codes governing the design and use of Kawneer products, such as glazed entrance, window, and curtain wall products, vary widely. Kawneer does not control the selection of product configurations, operating hardware, or glazing materials, and assumes no responsibility therefor.

Kawneer reserves the right to change configuration without prior notice when deemed necessary for product improvement.  
© 2024, Kawneer Company, Inc.

 HURRICANE RESISTANT PRODUCT

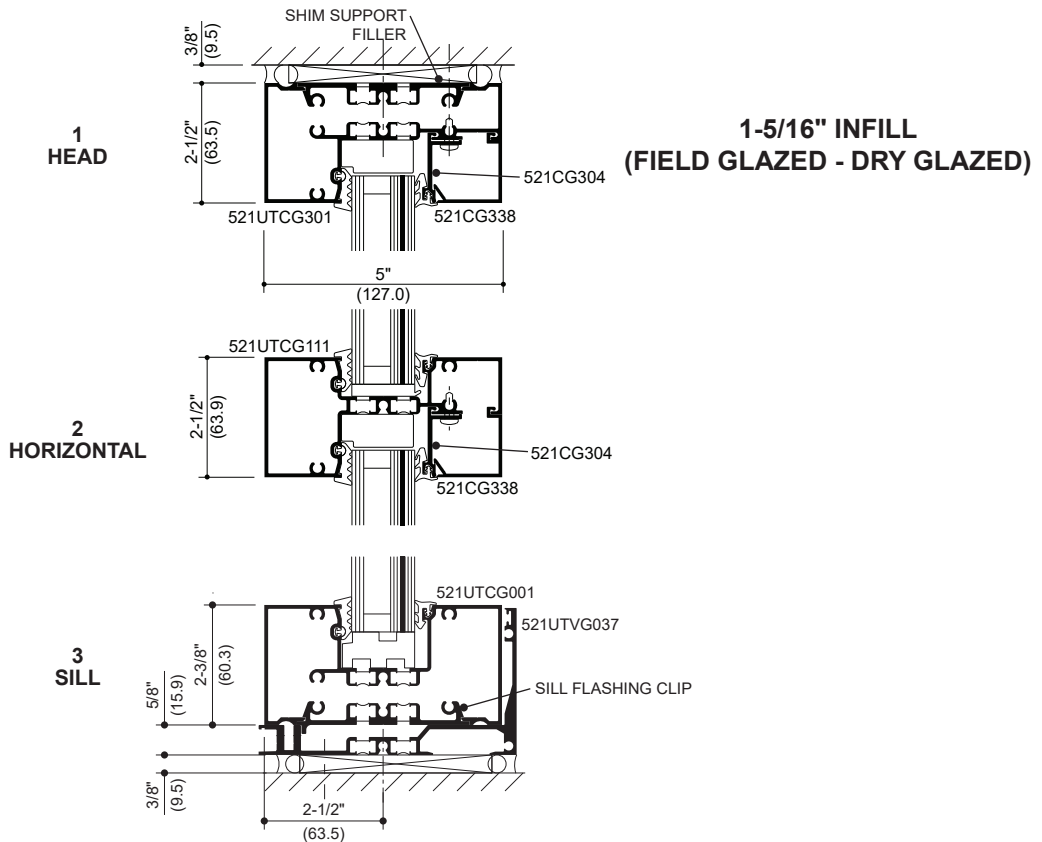
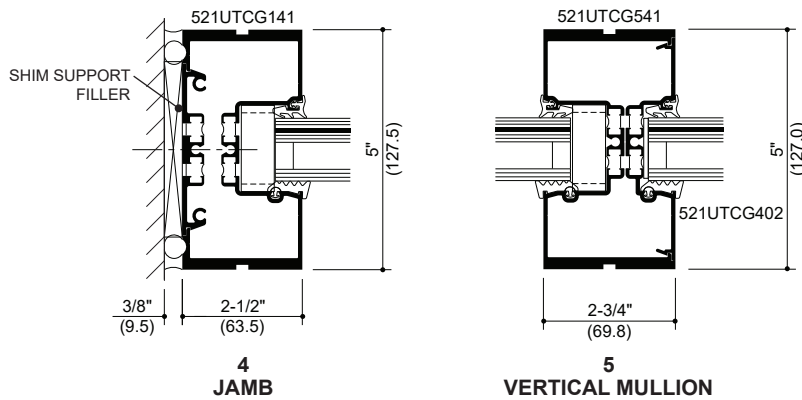
Additional information and CAD details are available at [www.kawneer.com](http://www.kawneer.com)



ELEVATION IS NUMBER KEYED TO DETAILS



IR 521UT Double IsoLock®  
THERMAL BREAK

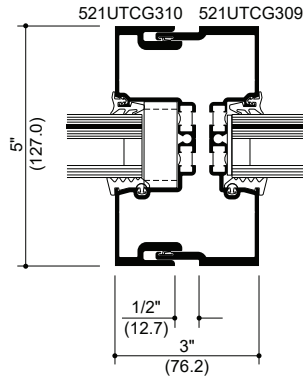


Laws and building and safety codes governing the design and use of Kawneer products, such as glazed entrance, window, and curtain wall products, vary widely. Kawneer does not control the selection of product configurations, operating hardware, or glazing materials, and assumes no responsibility therefor.

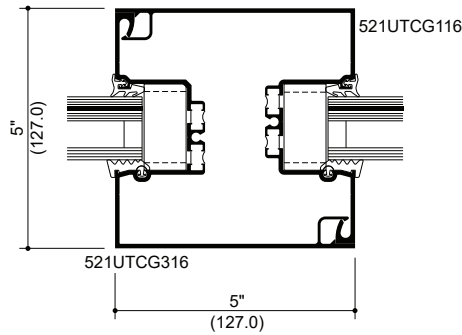
Kawneer reserves the right to change configuration without prior notice when deemed necessary for product improvement.  
© 2024, Kawneer Company, Inc.

Additional information and CAD details are available at [www.kawneer.com](http://www.kawneer.com)

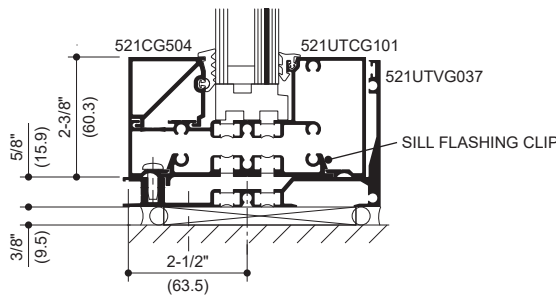
### 1-5/16" INFILL (FIELD GLAZED - DRY GLAZED)



**EXPANSION MULLION**



**5" x 5" MULLION**



**PINNED HORIZONTAL TO SILL FLASHING**

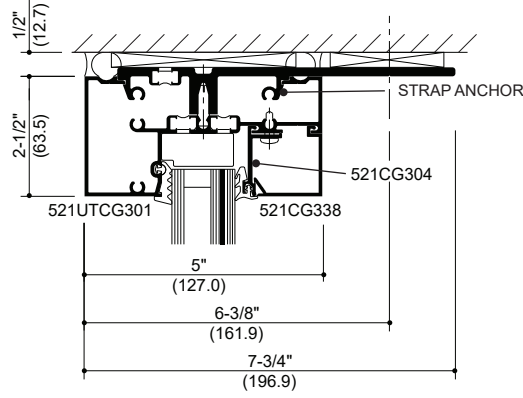
Laws and building and safety codes governing the design and use of Kawneer products, such as glazed entrance, window, and curtain wall products, vary widely. Kawneer does not control the selection of product configurations, operating hardware, or glazing materials, and assumes no responsibility therefor.

Kawneer reserves the right to change configuration without prior notice when deemed necessary for product improvement.  
© 2024, Kawneer Company, Inc.

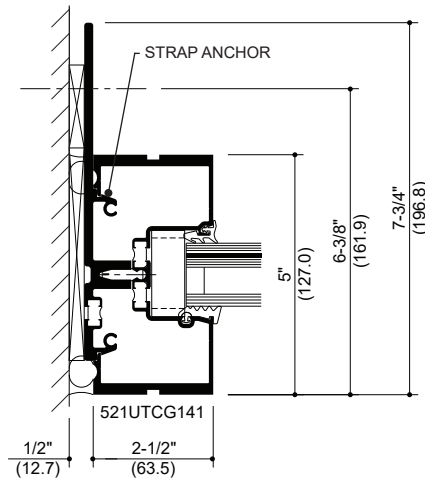


Additional information and CAD details are available at [www.kawneer.com](http://www.kawneer.com)

## 1-5/16" INFILL (FIELD GLAZED - DRY GLAZED)



HEAD



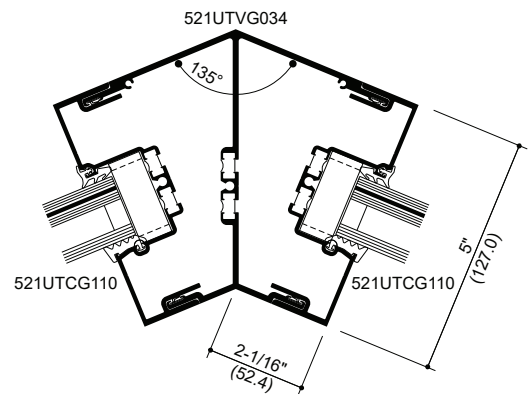
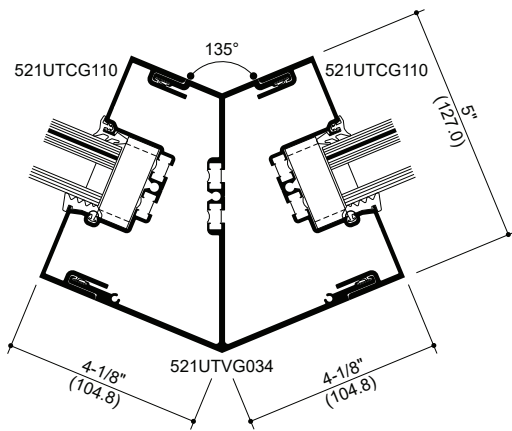
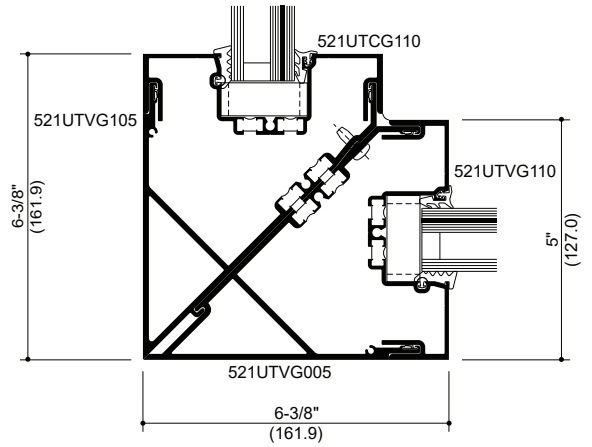
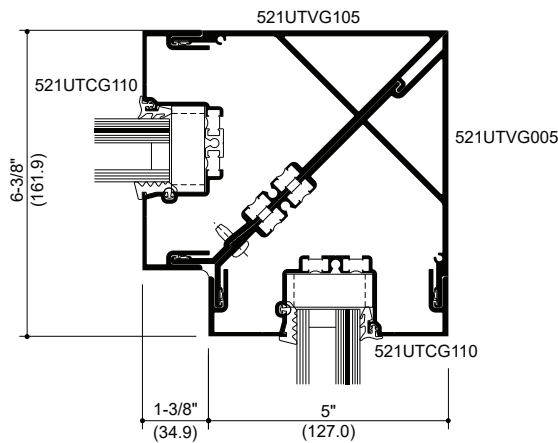
JAMB

Laws and building and safety codes governing the design and use of Kawneer products, such as glazed entrance, window, and curtain wall products, vary widely. Kawneer does not control the selection of product configurations, operating hardware, or glazing materials, and assumes no responsibility therefor.

Kawneer reserves the right to change configuration without prior notice when deemed necessary for product improvement.  
© 2024, Kawneer Company, Inc.

Additional information and CAD details are available at [www.kawneer.com](http://www.kawneer.com)

### 1-5/16" INFILL (FIELD GLAZED - DRY GLAZED)



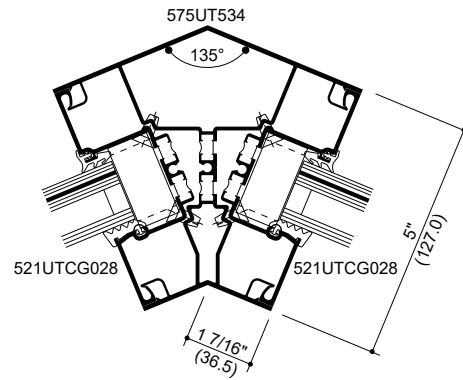
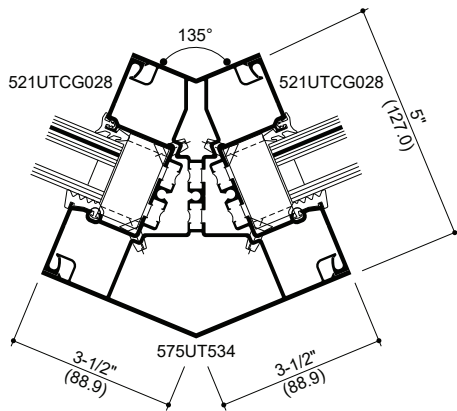
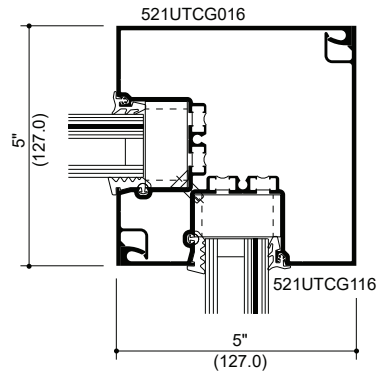
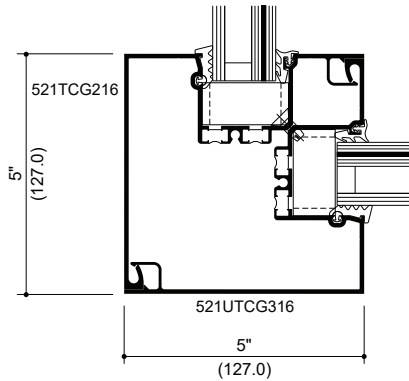
Laws and building and safety codes governing the design and use of Kawneer products, such as glazed entrance, window, and curtain wall products, vary widely. Kawneer does not control the selection of product configurations, operating hardware, or glazing materials, and assumes no responsibility therefor.

Kawneer reserves the right to change configuration without prior notice when deemed necessary for product improvement.  
© 2024, Kawneer Company, Inc.



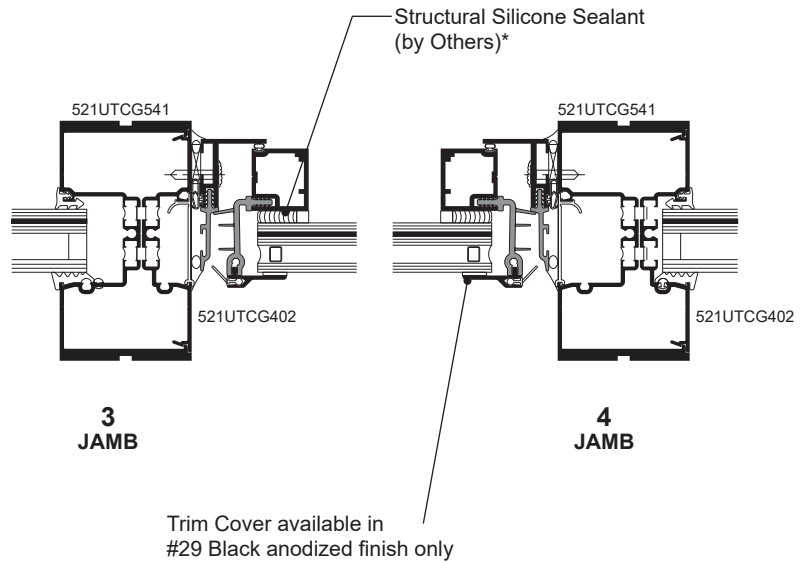
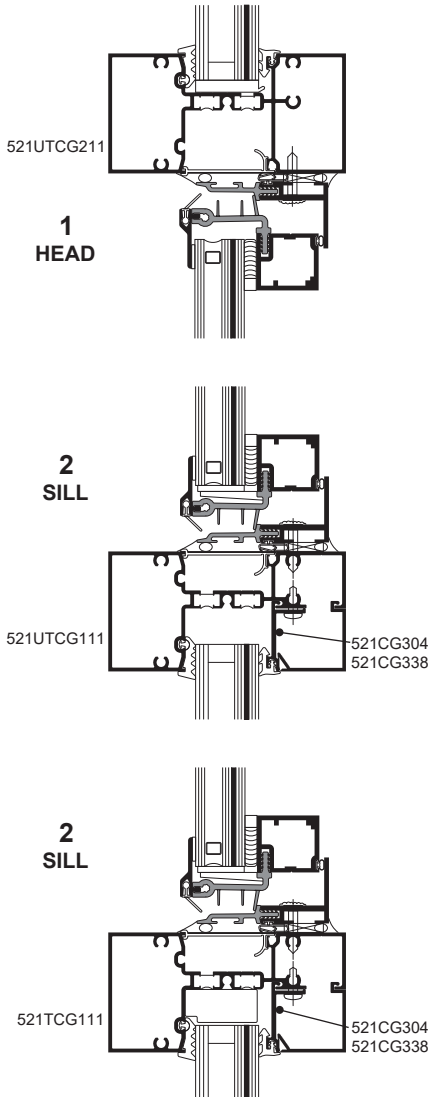
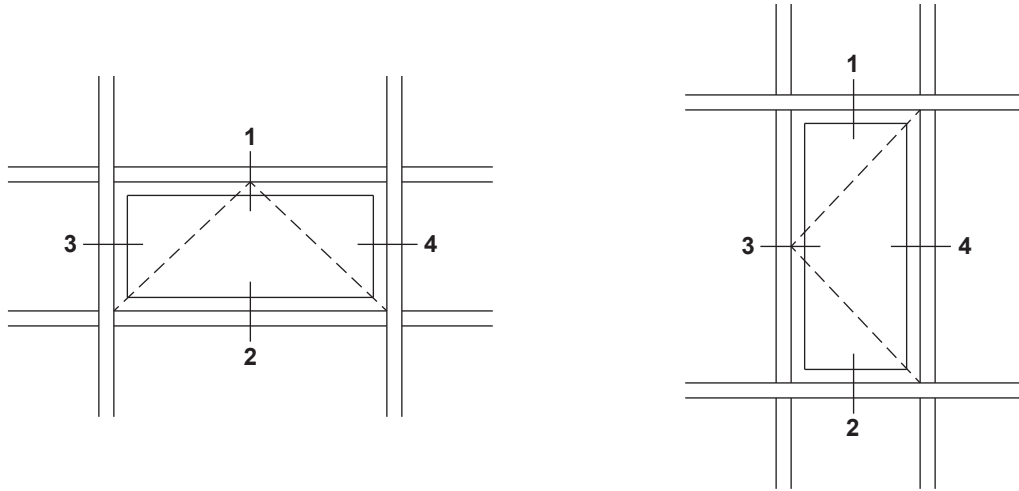
Additional information and CAD details are available at [www.kawneer.com](http://www.kawneer.com)

## 1-5/16" INFILL (FIELD GLAZED - DRY GLAZED)



\* **INSTALLER NOTE:** Installer is responsible for all required compatibility review and approvals with the Structural Silicone Manufacturer and the Insulating Glass Unit Manufacturer.

## 1-5/16" INFILL (FIELD GLAZED - DRY GLAZED)



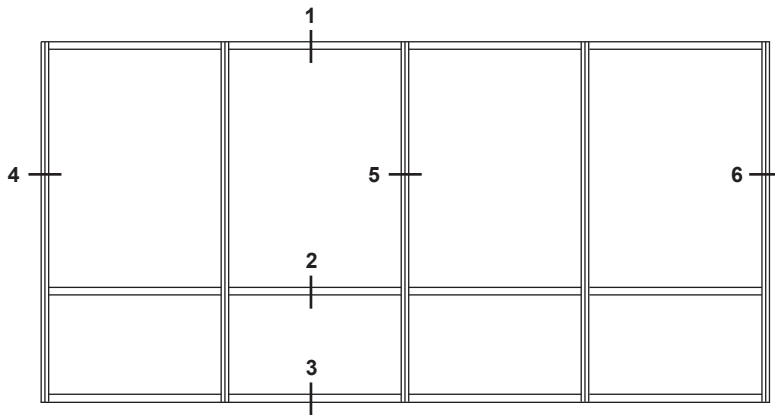
\* **INSTALLER NOTE:** Installer is responsible for all required compatibility review and approvals with the Structural Silicone, Structural Glazing Tape, and Insulating Glass Unit Manufacturers.

Laws and building and safety codes governing the design and use of Kawneer products, such as glazed entrance, window, and curtain wall products, vary widely. Kawneer does not control the selection of product configurations, operating hardware, or glazing materials, and assumes no responsibility therefor.

Kawneer reserves the right to change configuration without prior notice when deemed necessary for product improvement.  
© 2024, Kawneer Company, Inc.



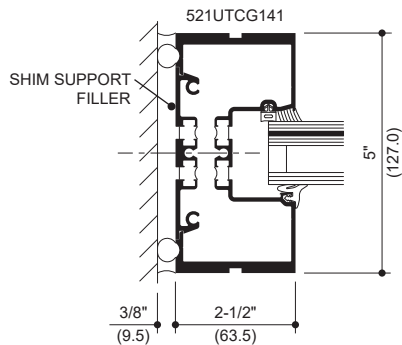
Additional information and CAD details are available at [www.kawneer.com](http://www.kawneer.com)



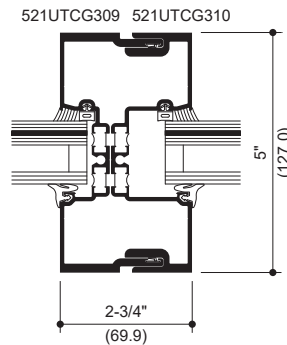
ELEVATION IS NUMBER KEYED TO DETAILS



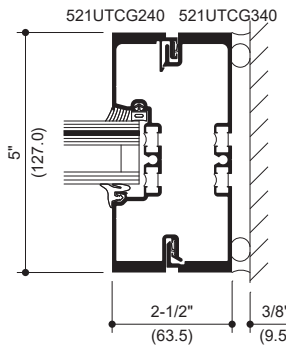
IR 521UT Double IsoLock®  
THERMAL BREAK



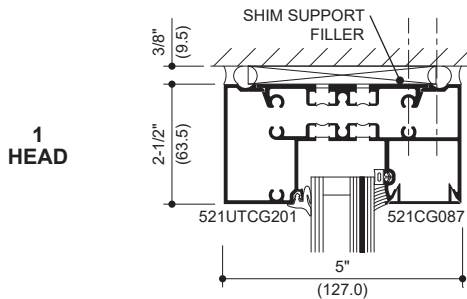
4  
FIRST BAY JAMB



5  
VERTICAL MULLION

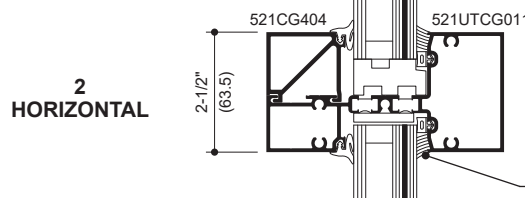


6  
LAST BAY JAMB



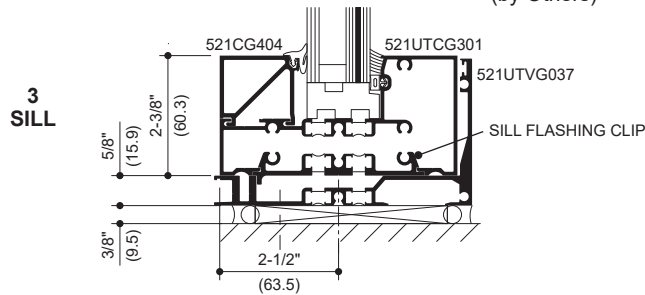
1  
HEAD

1-5/16" INFILL  
(PRE GLAZED - WET GLAZED)



2  
HORIZONTAL

Structural Silicone Sealant  
(by Others)\*

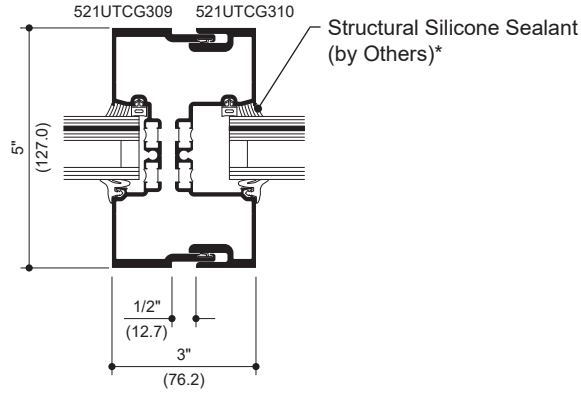


3  
SILL

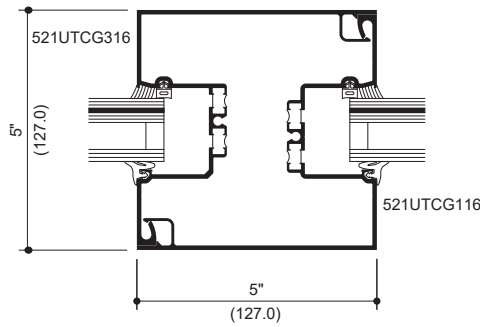
\* INSTALLER NOTE: Installer is responsible for all required compatibility review and approvals with the Structural Silicone Manufacturer and the Insulating Glass Unit Manufacturer.

Additional information and CAD details are available at [www.kawneer.com](http://www.kawneer.com)

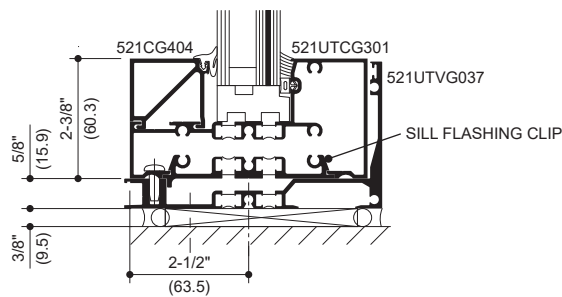
### 1-5/16" INFILL (PRE GLAZED - WET GLAZED)



**EXPANSION MULLION**



**5" x 5" MULLION**



**PINNED HORIZONTAL TO SILL FLASHING**

\* **INSTALLER NOTE:** Installer is responsible for all required compatibility review and approvals with the Structural Silicone Manufacturer and the Insulating Glass Unit Manufacturer.

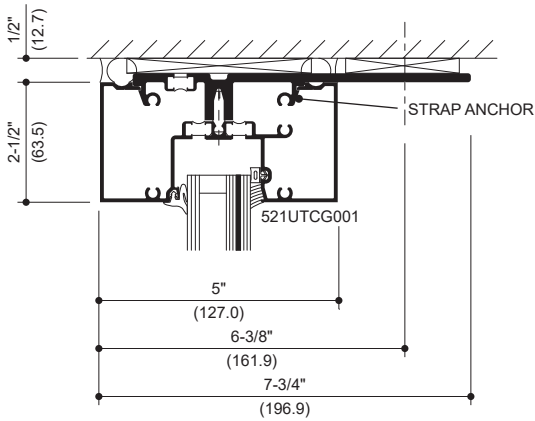
Laws and building and safety codes governing the design and use of Kawneer products, such as glazed entrance, window, and curtain wall products, vary widely. Kawneer does not control the selection of product configurations, operating hardware, or glazing materials, and assumes no responsibility therefor.

Kawneer reserves the right to change configuration without prior notice when deemed necessary for product improvement.  
© 2024, Kawneer Company, Inc.

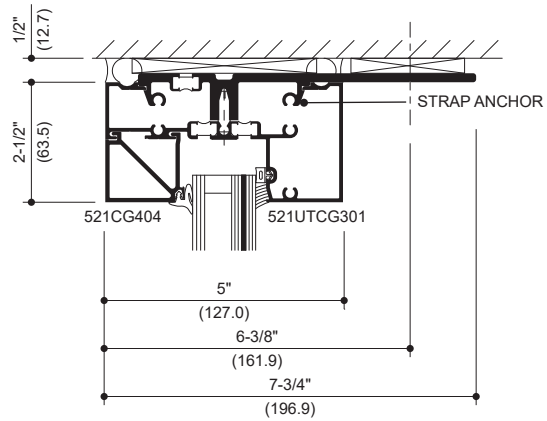


Additional information and CAD details are available at [www.kawneer.com](http://www.kawneer.com)

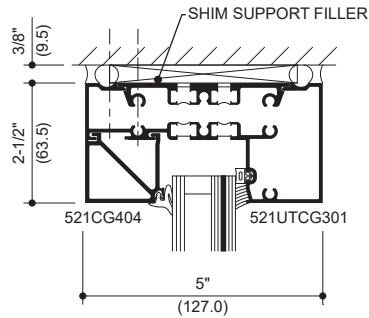
## 1-5/16" INFILL (PRE GLAZED - WET GLAZED)



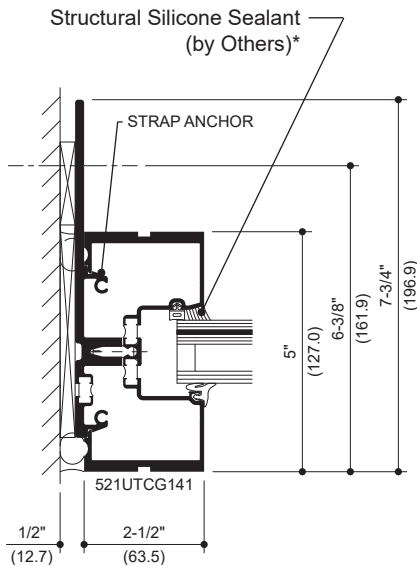
**HEAD**



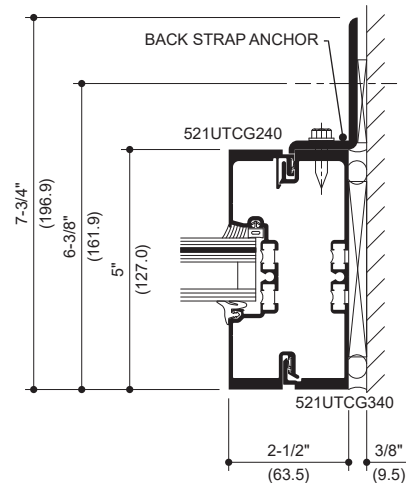
**OPTIONAL HEAD WITH STOP**



**OPTIONAL HEAD WITH STOP**



**FIRST BAY JAMB**



**LAST BAY JAMB**

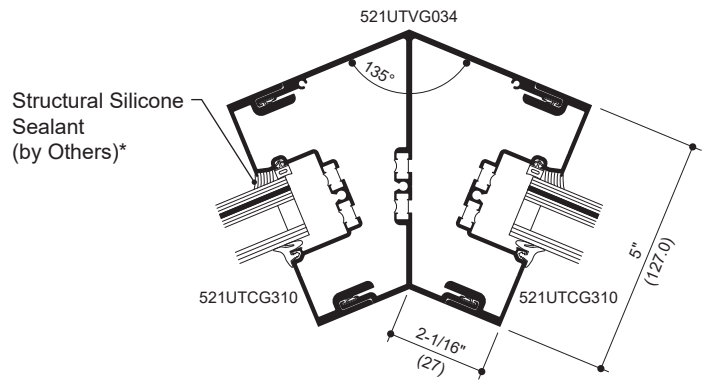
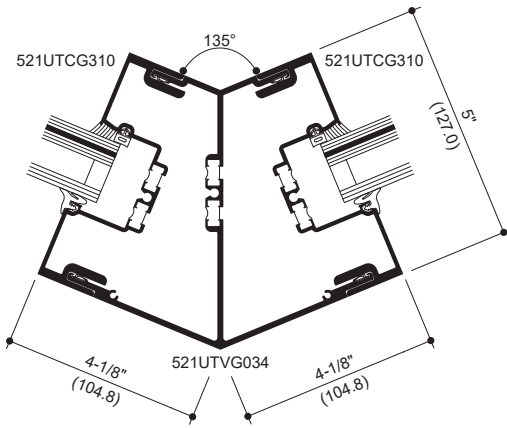
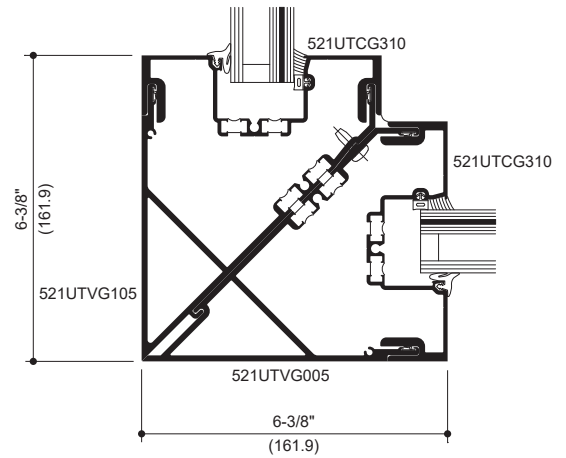
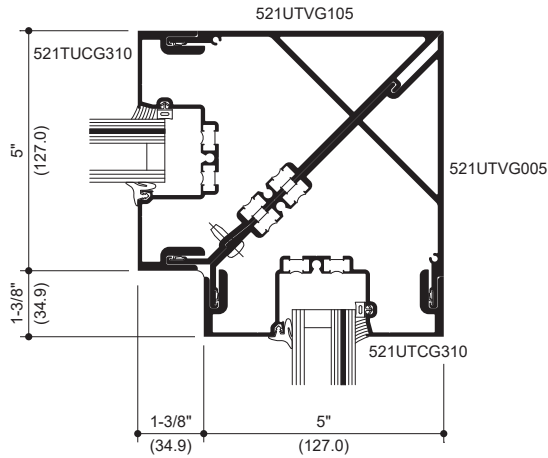
\* **INSTALLER NOTE:** Installer is responsible for all required compatibility review and approvals with the Structural Silicone Manufacturer and the Insulating Glass Unit Manufacturer.

Laws and building and safety codes governing the design and use of Kawneer products, such as glazed entrance, window, and curtain wall products, vary widely. Kawneer does not control the selection of product configurations, operating hardware, or glazing materials, and assumes no responsibility therefor.

Kawneer reserves the right to change configuration without prior notice when deemed necessary for product improvement.  
© 2024, Kawneer Company, Inc.

Additional information and CAD details are available at [www.kawneer.com](http://www.kawneer.com)

### 1-5/16" INFILL (PRE GLAZED - WET GLAZED)



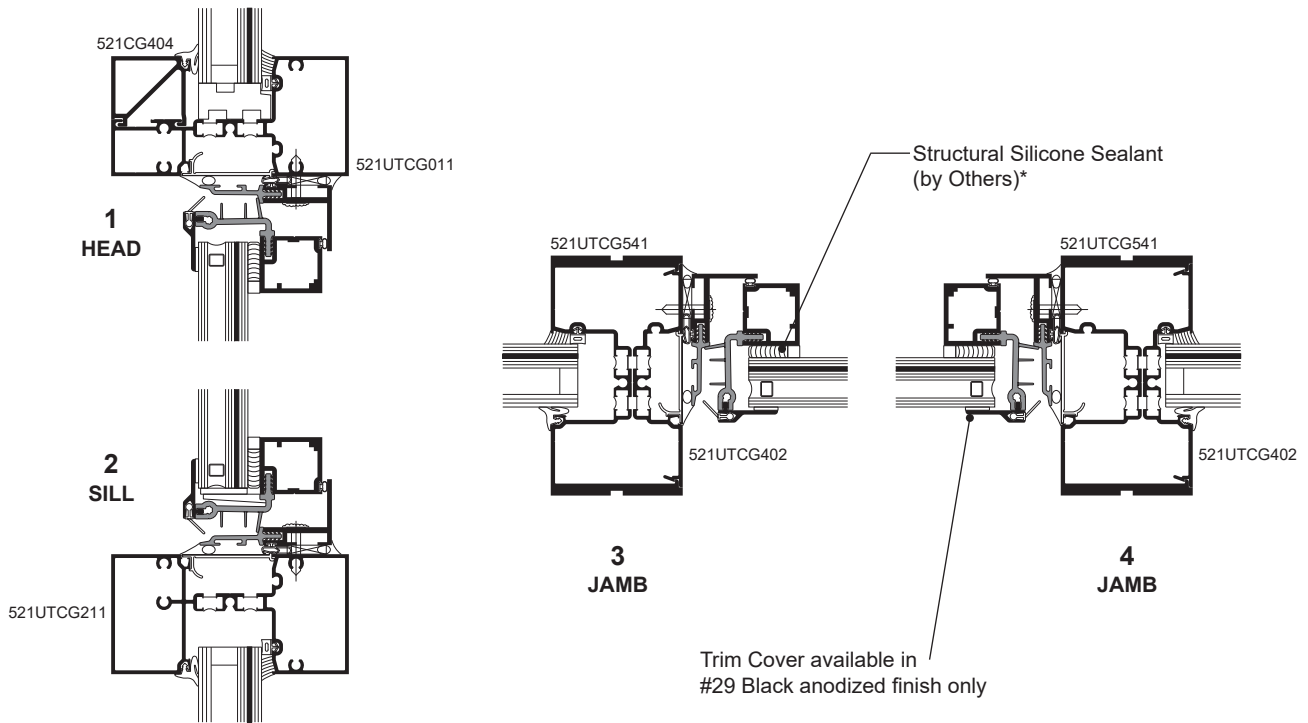
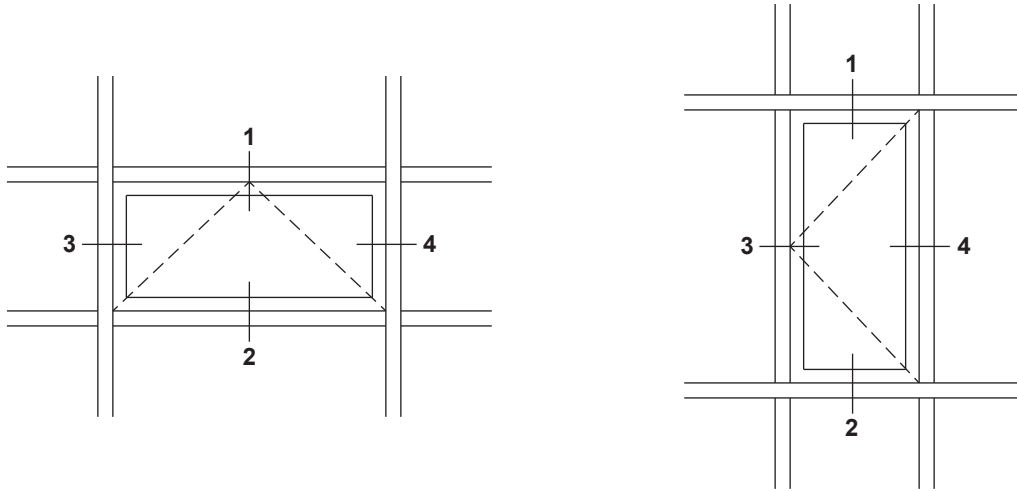
\* **INSTALLER NOTE:** Installer is responsible for all required compatibility review and approvals with the Structural Silicone Manufacturer and the Insulating Glass Unit Manufacturer.

Laws and building and safety codes governing the design and use of Kawneer products, such as glazed entrance, window, and curtain wall products, vary widely. Kawneer does not control the selection of product configurations, operating hardware, or glazing materials, and assumes no responsibility therefor.

Kawneer reserves the right to change configuration without prior notice when deemed necessary for product improvement.  
© 2024, Kawneer Company, Inc.



## 1-5/16" INFILL (PRE GLAZED - WET GLAZED)



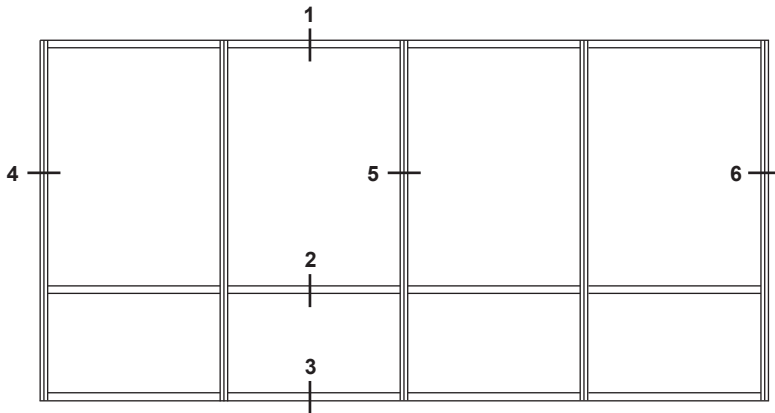
Laws and building and safety codes governing the design and use of Kawneer products, such as glazed entrance, window, and curtain wall products, vary widely. Kawneer does not control the selection of product configurations, operating hardware, or glazing materials, and assumes no responsibility therefor.

Kawneer reserves the right to change configuration without prior notice when deemed necessary for product improvement.  
© 2024, Kawneer Company, Inc.

\* **INSTALLER NOTE:** Installer is responsible for all required compatibility review and approvals with the Structural Silicone, Structural Glazing Tape, and Insulating Glass Unit Manufacturers.



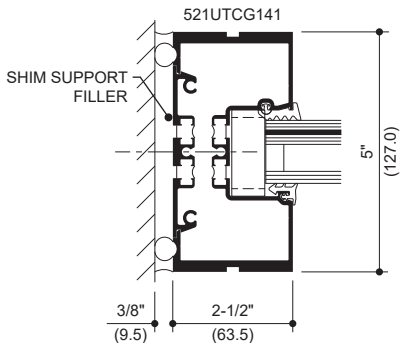
Additional information and CAD details are available at [www.kawneer.com](http://www.kawneer.com)



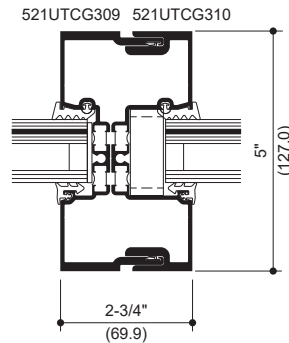
ELEVATION IS NUMBER KEYED TO DETAILS



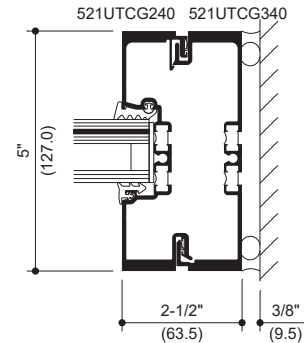
IR 521UT Double IsoLock®  
THERMAL BREAK



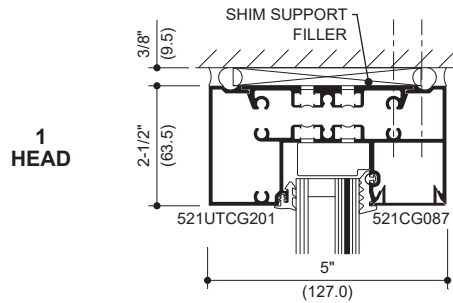
4  
FIRST BAY JAMB



5  
VERTICAL MULLION

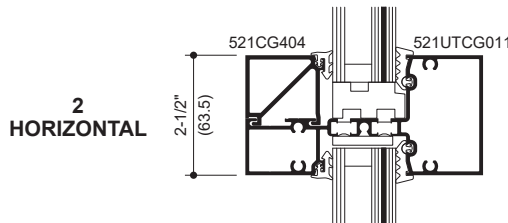


6  
LAST BAY JAMB

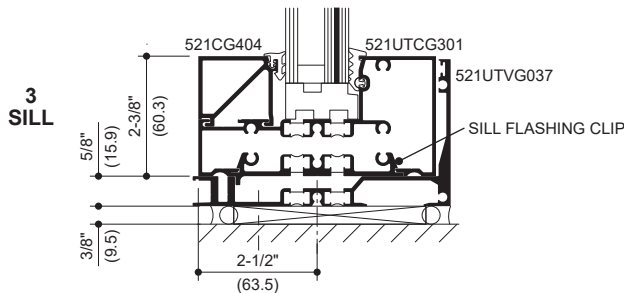


1  
HEAD

1-5/16" INFILL  
(PRE GLAZED - DRY GLAZED)



2  
HORIZONTAL



3  
SILL

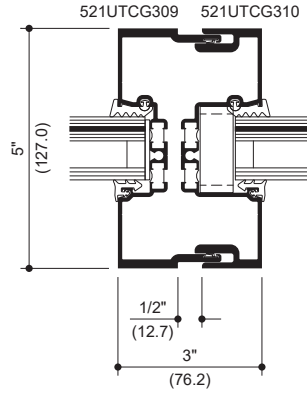
Laws and building and safety codes governing the design and use of Kawneer products, such as glazed entrance, window, and curtain wall products, vary widely. Kawneer does not control the selection of product configurations, operating hardware, or glazing materials, and assumes no responsibility therefor.

Kawneer reserves the right to change configuration without prior notice when deemed necessary for product improvement.  
© 2024, Kawneer Company, Inc.

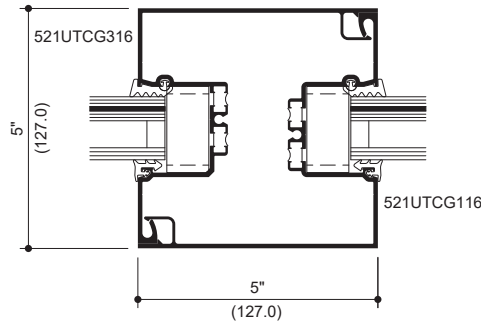


Additional information and CAD details are available at [www.kawneer.com](http://www.kawneer.com)

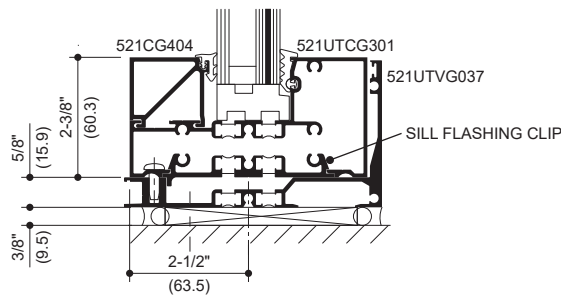
1-5/16" INFILL (PRE GLAZED - DRY GLAZED)



EXPANSION MULLION



5" x 5" MULLION



PINNED HORIZONTAL TO SILL FLASHING

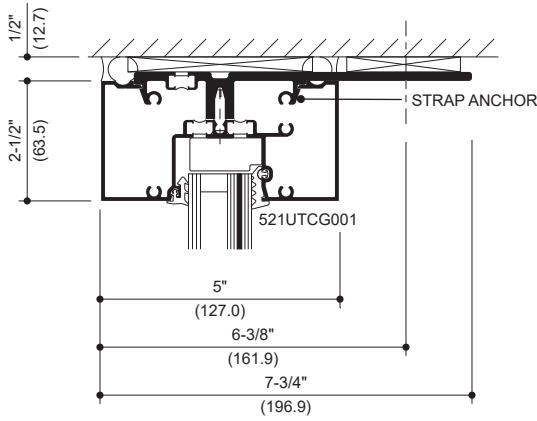
Laws and building and safety codes governing the design and use of Kawneer products, such as glazed entrance, window, and curtain wall products, vary widely. Kawneer does not control the selection of product configurations, operating hardware, or glazing materials, and assumes no responsibility therefor.

Kawneer reserves the right to change configuration without prior notice when deemed necessary for product improvement.  
© 2024, Kawneer Company, Inc.

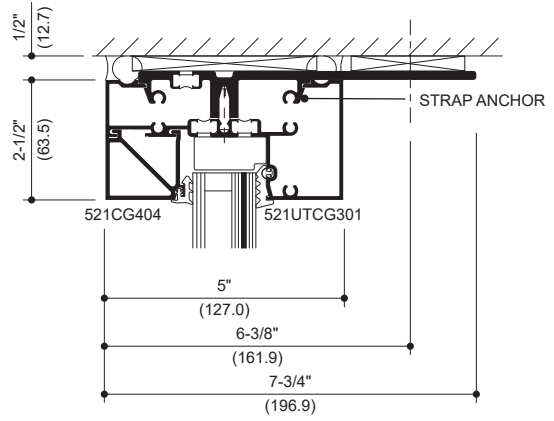


Additional information and CAD details are available at [www.kawneer.com](http://www.kawneer.com)

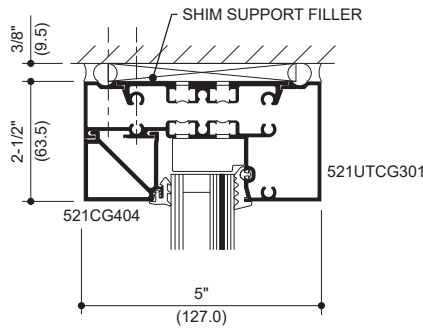
### 1-5/16" INFILL (PRE GLAZED - DRY GLAZED)



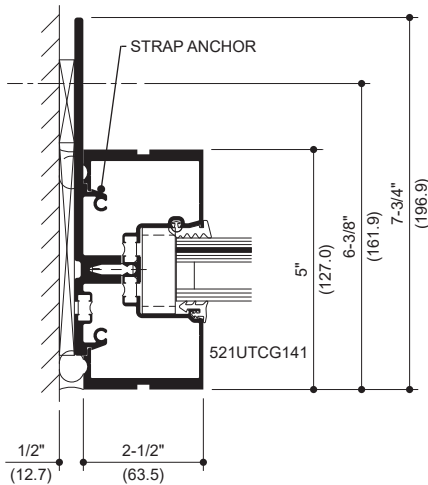
**HEAD**



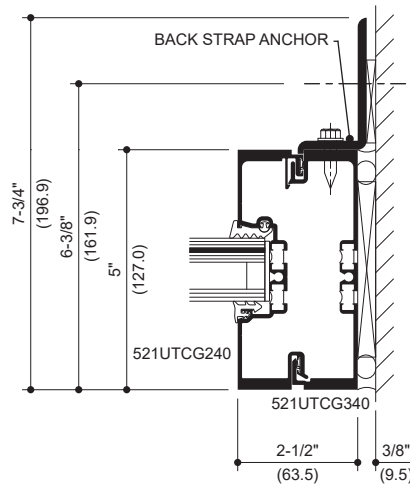
**OPTIONAL HEAD WITH STOP**



**OPTIONAL HEAD WITH STOP**



**FIRST BAY JAMB**



**LAST BAY JAMB**

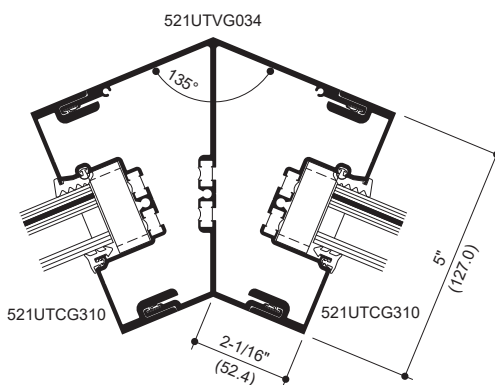
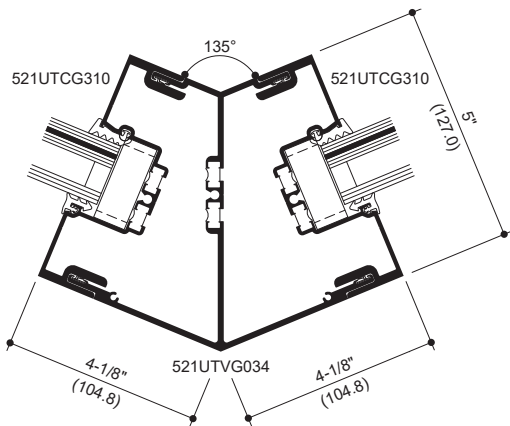
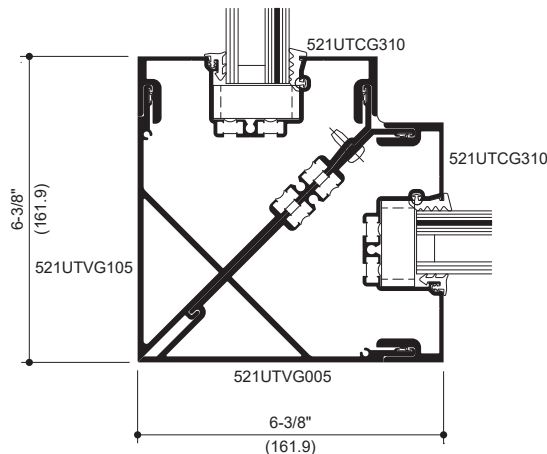
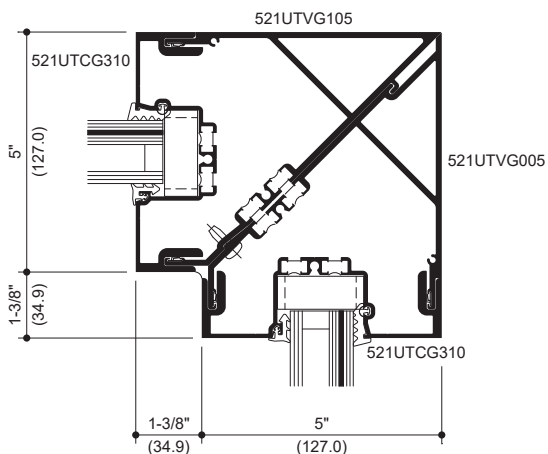
Laws and building and safety codes governing the design and use of Kawneer products, such as glazed entrance, window, and curtain wall products, vary widely. Kawneer does not control the selection of product configurations, operating hardware, or glazing materials, and assumes no responsibility therefor.

Kawneer reserves the right to change configuration without prior notice when deemed necessary for product improvement.  
© 2024, Kawneer Company, Inc.



Additional information and CAD details are available at [www.kawneer.com](http://www.kawneer.com)

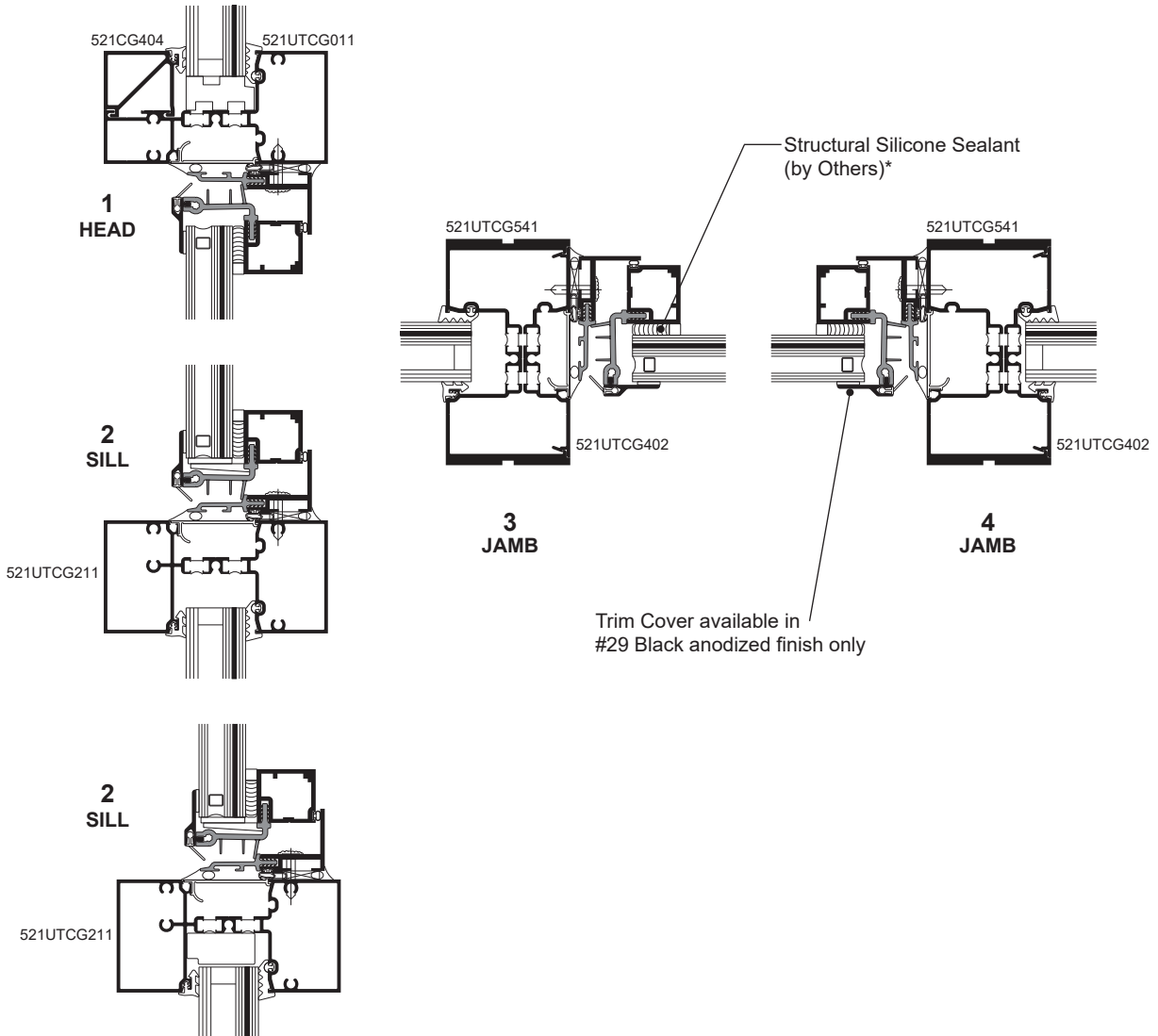
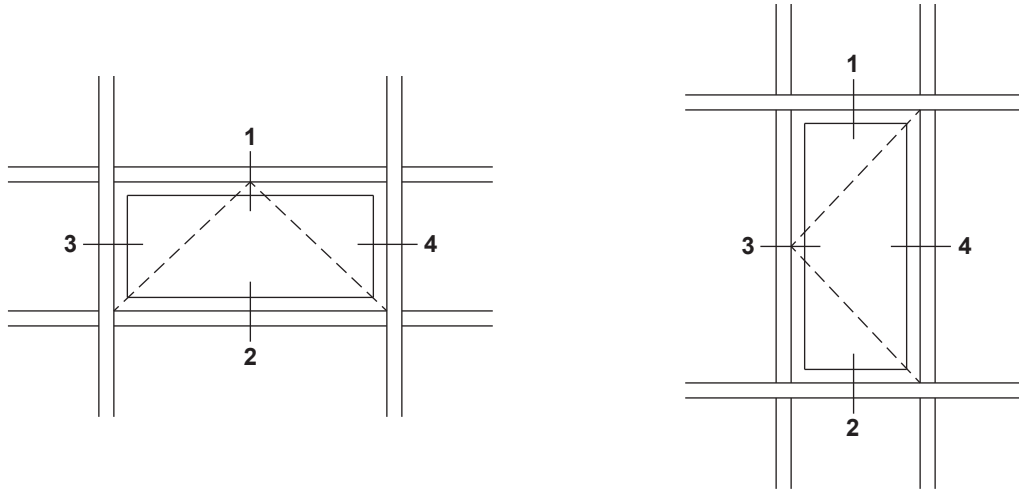
## 1-5/16" INFILL (PRE GLAZED - DRY GLAZED)



Laws and building and safety codes governing the design and use of Kawneer products, such as glazed entrance, window, and curtain wall products, vary widely. Kawneer does not control the selection of product configurations, operating hardware, or glazing materials, and assumes no responsibility therefor.

Kawneer reserves the right to change configuration without prior notice when deemed necessary for product improvement.  
© 2024, Kawneer Company, Inc.

## 1-5/16" INFILL (PRE GLAZED - DRY GLAZED)



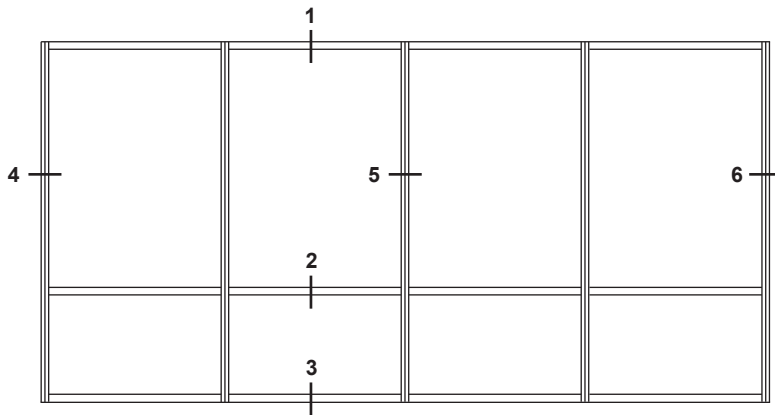
\* **INSTALLER NOTE:** Installer is responsible for all required compatibility review and approvals with the Structural Silicone, Structural Glazing Tape, and Insulating Glass Unit Manufacturers.

Laws and building and safety codes governing the design and use of Kawneer products, such as glazed entrance, window, and curtain wall products, vary widely. Kawneer does not control the selection of product configurations, operating hardware, or glazing materials, and assumes no responsibility therefor.

Kawneer reserves the right to change configuration without prior notice when deemed necessary for product improvement.  
© 2024, Kawneer Company, Inc.



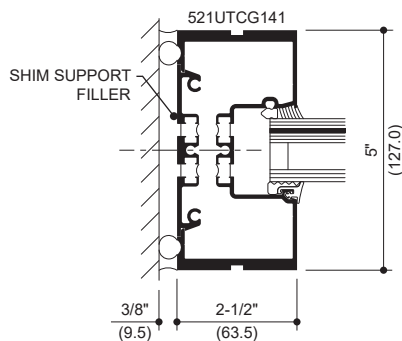
Additional information and CAD details are available at [www.kawneer.com](http://www.kawneer.com)



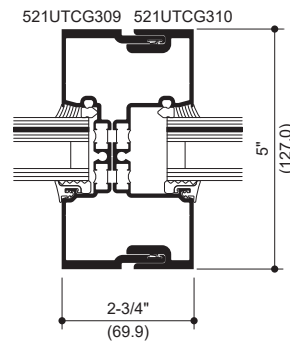
ELEVATION IS NUMBER KEYED TO DETAILS



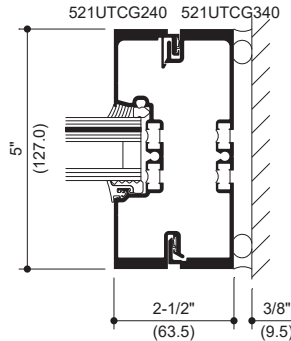
IR 521UT Double IsoLock®  
THERMAL BREAK



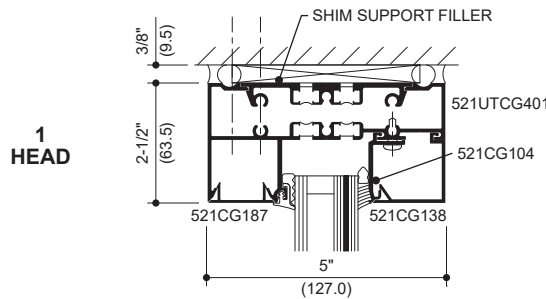
4  
FIRST BAY JAMB



5  
VERTICAL MULLION

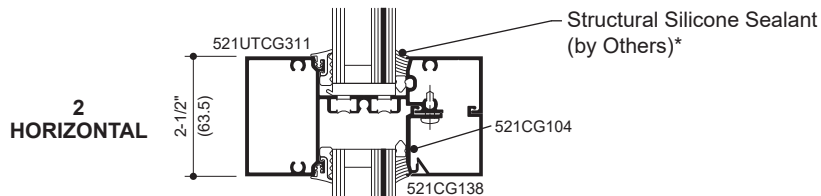


6  
LAST BAY JAMB

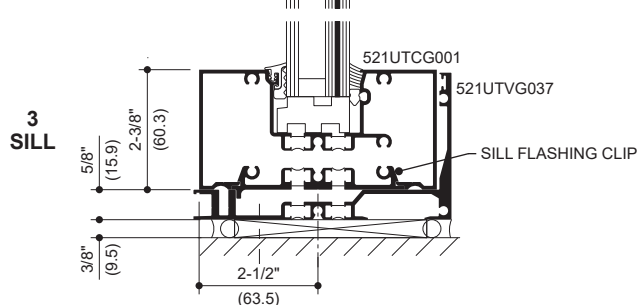


1  
HEAD

1-5/16" INFILL  
(PRE GLAZED - WET GLAZED)



2  
HORIZONTAL

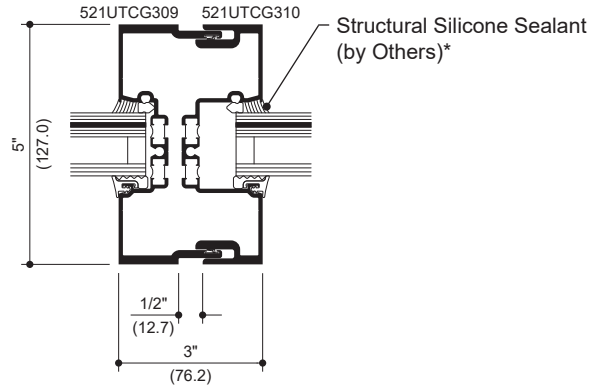


3  
SILL

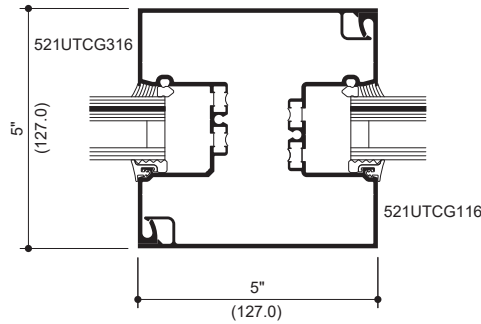
\* INSTALLER NOTE: Installer is responsible for all required compatibility review and approvals with the Structural Silicone Manufacturer and the Insulating Glass Unit Manufacturer.

Additional information and CAD details are available at [www.kawneer.com](http://www.kawneer.com)

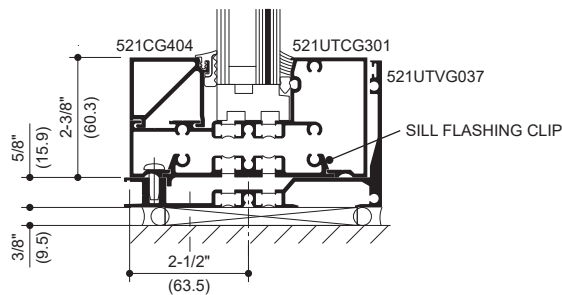
### 1-5/16" INFILL (PRE GLAZED - WET GLAZED)



**EXPANSION MULLION**



**5" x 5" MULLION**



**PINNED HORIZONTAL TO SILL FLASHING**

\* **INSTALLER NOTE:** Installer is responsible for all required compatibility review and approvals with the Structural Silicone Manufacturer and the Insulating Glass Unit Manufacturer.

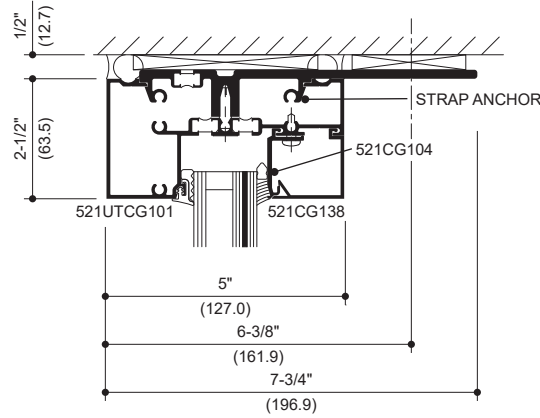
Laws and building and safety codes governing the design and use of Kawneer products, such as glazed entrance, window, and curtain wall products, vary widely. Kawneer does not control the selection of product configurations, operating hardware, or glazing materials, and assumes no responsibility therefor.

Kawneer reserves the right to change configuration without prior notice when deemed necessary for product improvement.  
© 2024, Kawneer Company, Inc.

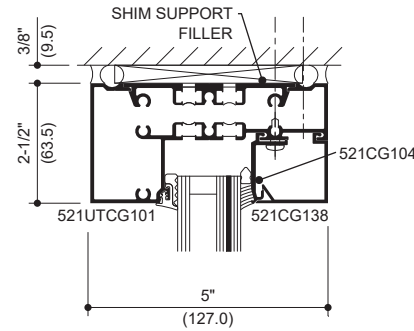


Additional information and CAD details are available at [www.kawneer.com](http://www.kawneer.com)

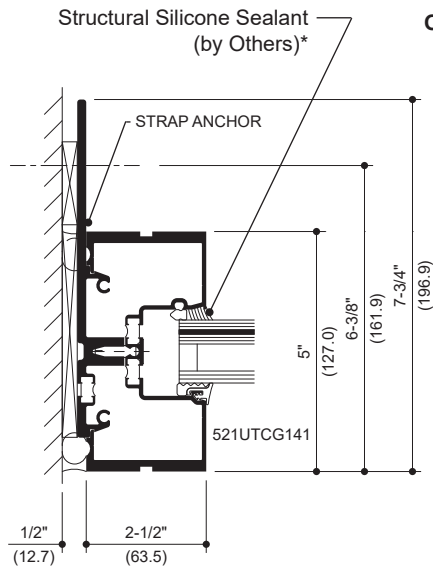
## 1-5/16" INFILL (PRE GLAZED - WET GLAZED)



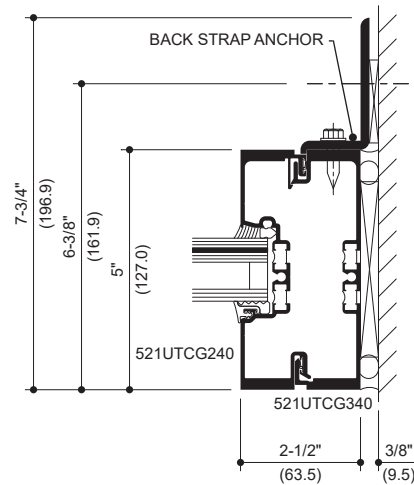
**HEAD**



**OPTIONAL HEAD WITH STOP**



**FIRST BAY JAMB**

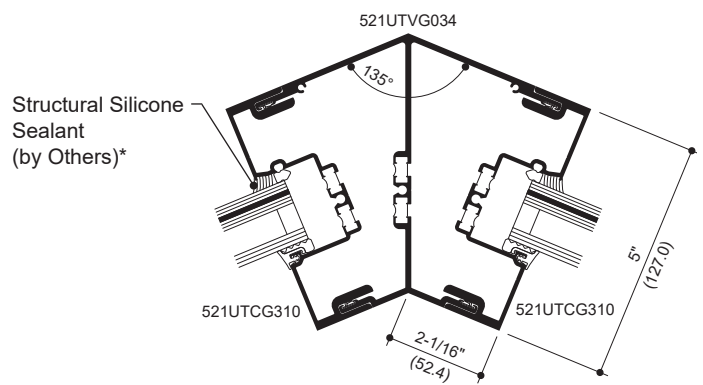
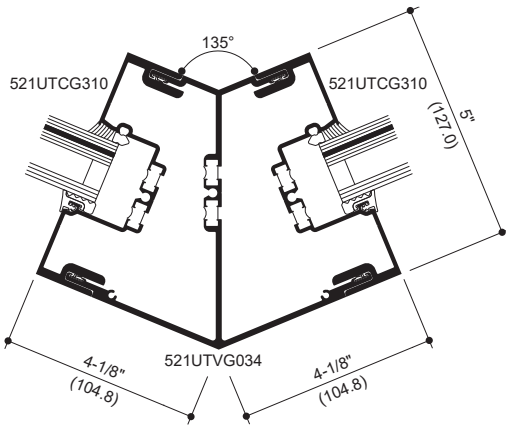
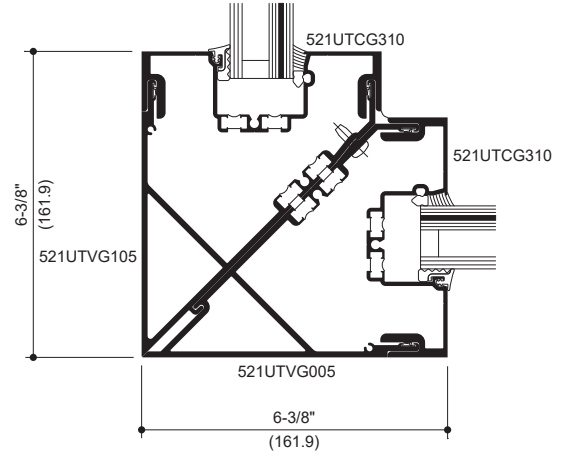
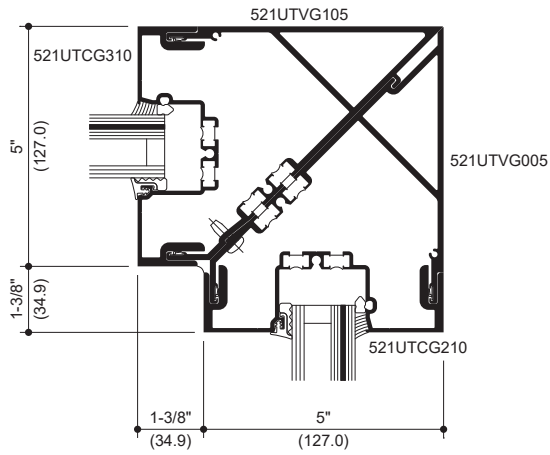


**LAST BAY JAMB**

\* **INSTALLER NOTE:** Installer is responsible for all required compatibility review and approvals with the Structural Silicone Manufacturer and the Insulating Glass Unit Manufacturer.

Additional information and CAD details are available at [www.kawneer.com](http://www.kawneer.com)

### 1-5/16" INFILL (PRE GLAZED - WET GLAZED)

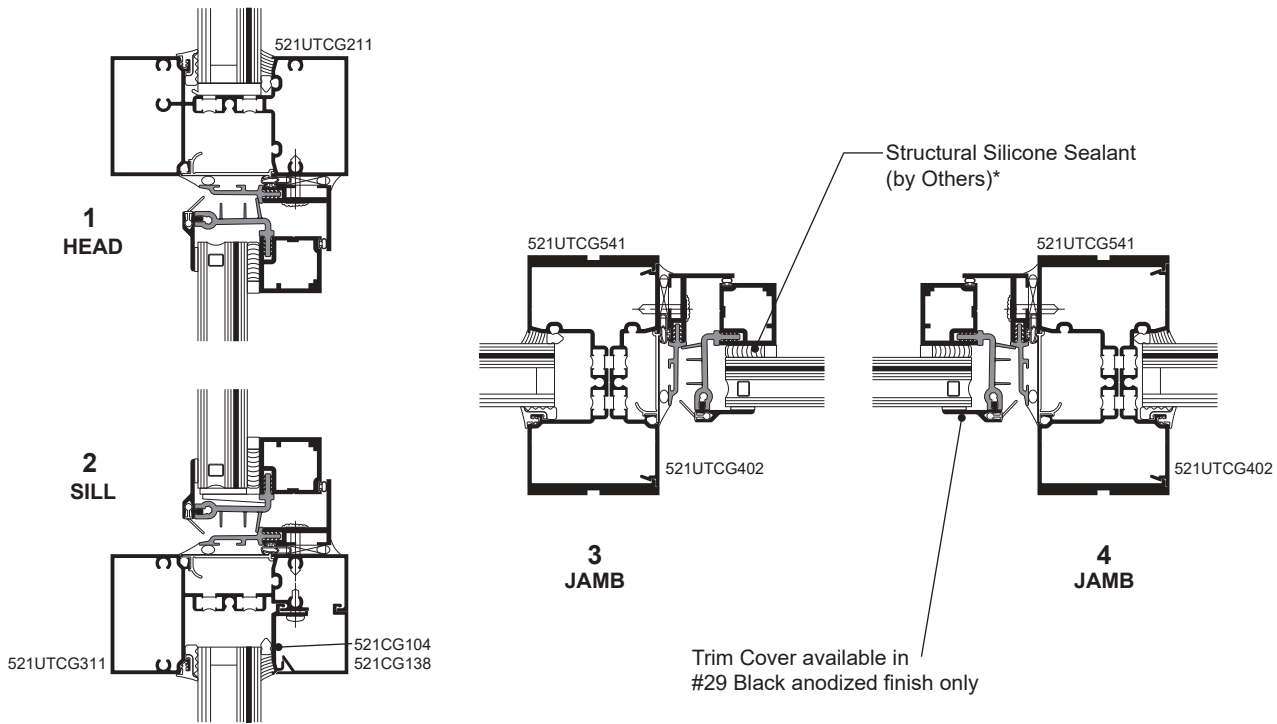
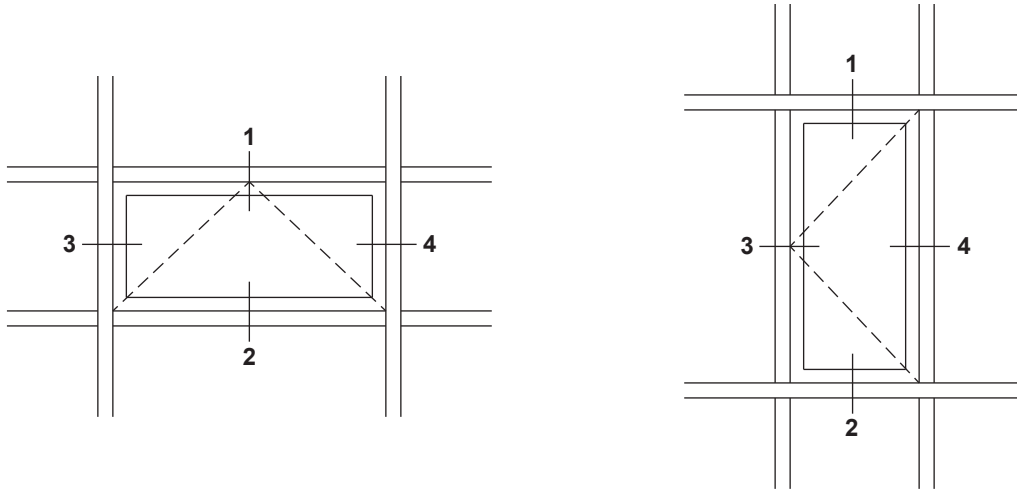


\* **INSTALLER NOTE:** Installer is responsible for all required compatibility review and approvals with the Structural Silicone Manufacturer and the Insulating Glass Unit Manufacturer.

Laws and building and safety codes governing the design and use of Kawneer products, such as glazed entrance, window, and curtain wall products, vary widely. Kawneer does not control the selection of product configurations, operating hardware, or glazing materials, and assumes no responsibility therefor.

Kawneer reserves the right to change configuration without prior notice when deemed necessary for product improvement.  
© 2024, Kawneer Company, Inc.

## 1-5/16" INFILL (PRE GLAZED - WET GLAZED)

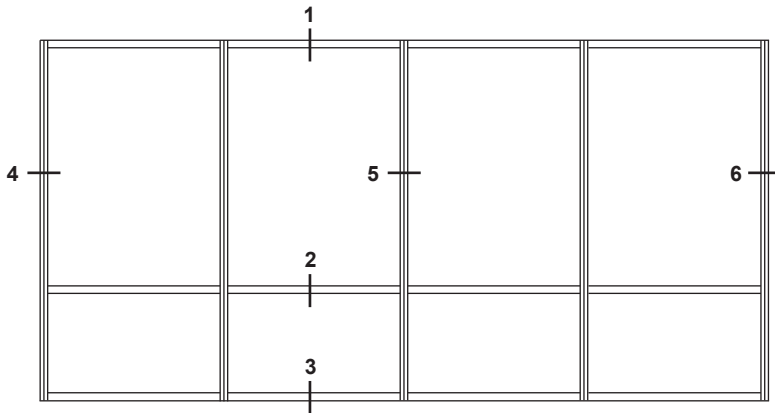


Laws and building and safety codes governing the design and use of Kawneer products, such as glazed entrance, window, and curtain wall products, vary widely. Kawneer does not control the selection of product configurations, operating hardware, or glazing materials, and assumes no responsibility therefor.

Kawneer reserves the right to change configuration without prior notice when deemed necessary for product improvement.  
© 2024, Kawneer Company, Inc.

\* **INSTALLER NOTE:** Installer is responsible for all required compatibility review and approvals with the Structural Silicone, Structural Glazing Tape, and Insulating Glass Unit Manufacturers.

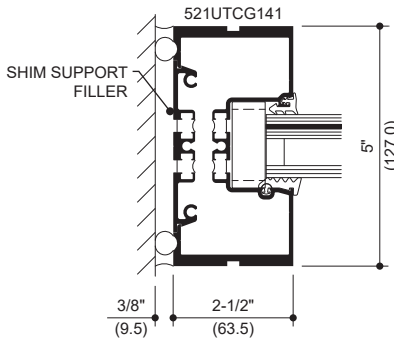
Additional information and CAD details are available at [www.kawneer.com](http://www.kawneer.com)



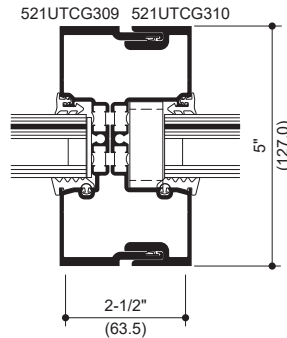
ELEVATION IS NUMBER KEYED TO DETAILS



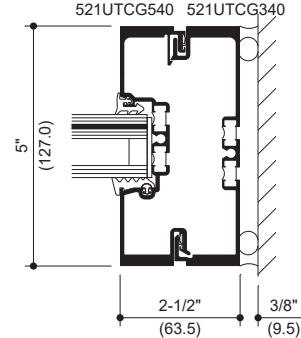
IR 521UT Double IsoLock®  
THERMAL BREAK



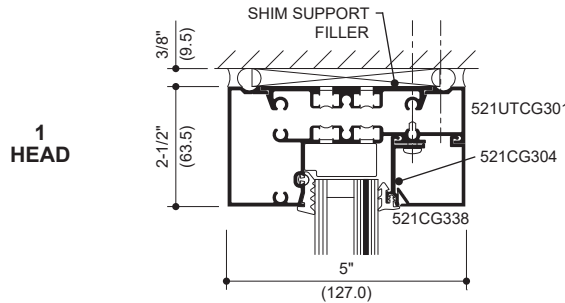
4  
FIRST BAY JAMB



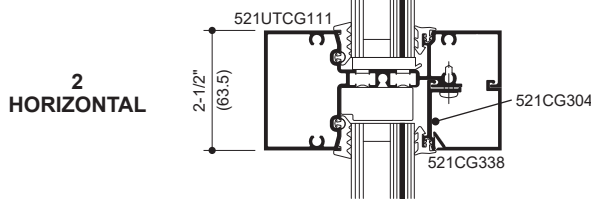
5  
VERTICAL MULLION



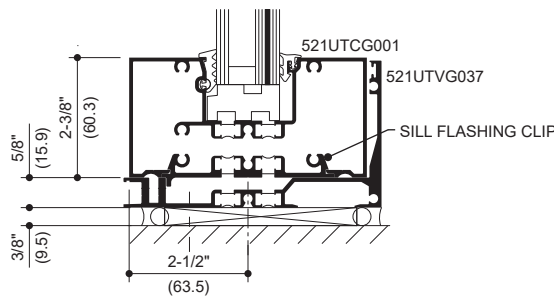
6  
LAST BAY JAMB



1  
HEAD



2  
HORIZONTAL



3  
SILL

1-5/16" INFILL  
(PRE GLAZED - DRY GLAZED)

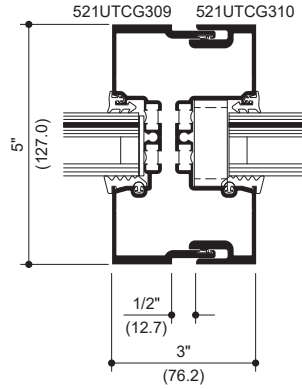
Laws and building and safety codes governing the design and use of Kawneer products, such as glazed entrance, window, and curtain wall products, vary widely. Kawneer does not control the selection of product configurations, operating hardware, or glazing materials, and assumes no responsibility therefor.

Kawneer reserves the right to change configuration without prior notice when deemed necessary for product improvement.  
© 2024, Kawneer Company, Inc.

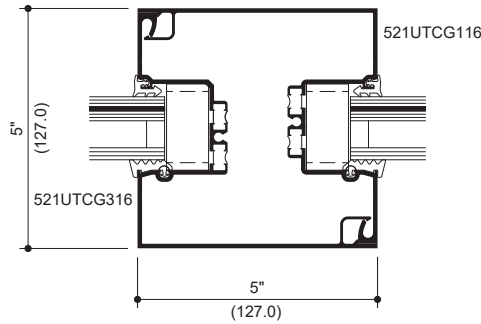


Additional information and CAD details are available at [www.kawneer.com](http://www.kawneer.com)

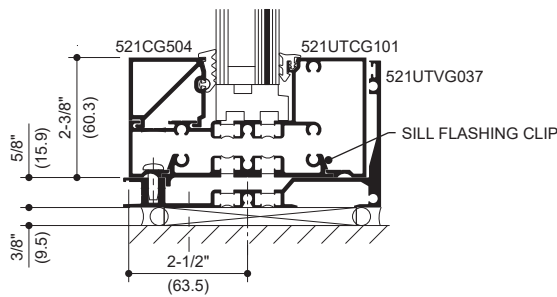
1-5/16" INFILL (PRE GLAZED - DRY GLAZED)



EXPANSION MULLION



5" x 5" MULLION



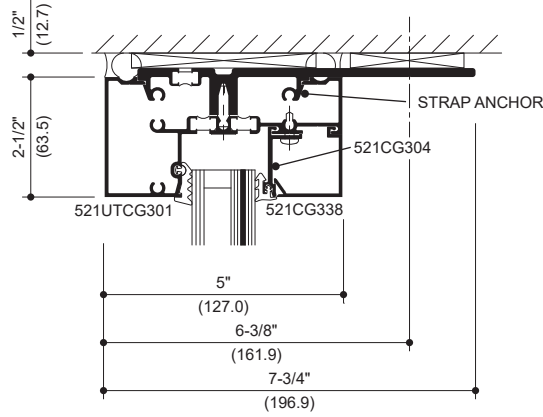
PINNED HORIZONTAL TO SILL FLASHING

Laws and building and safety codes governing the design and use of Kawneer products, such as glazed entrance, window, and curtain wall products, vary widely. Kawneer does not control the selection of product configurations, operating hardware, or glazing materials, and assumes no responsibility therefor.

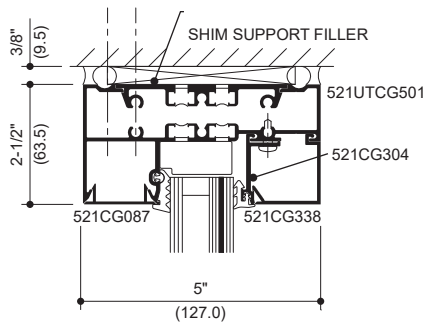
Kawneer reserves the right to change configuration without prior notice when deemed necessary for product improvement.  
© 2024, Kawneer Company, Inc.

Additional information and CAD details are available at [www.kawneer.com](http://www.kawneer.com)

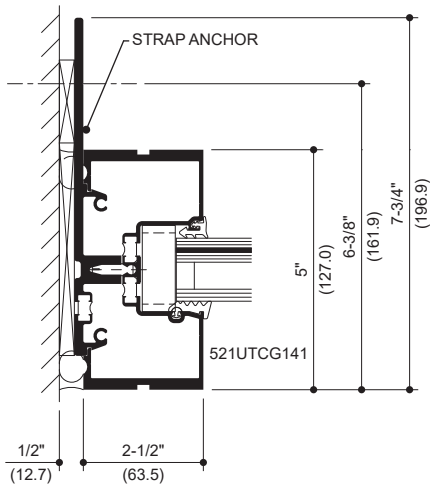
### 1-5/16" INFILL (PRE GLAZED - DRY GLAZED)



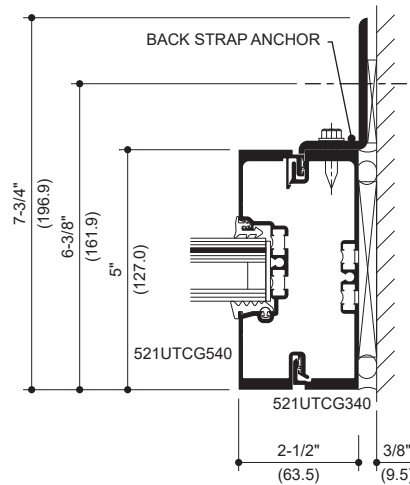
**HEAD**



**OPTIONAL HEAD WITH STOP**



**FIRST BAY JAMB**



**LAST BAY JAMB**

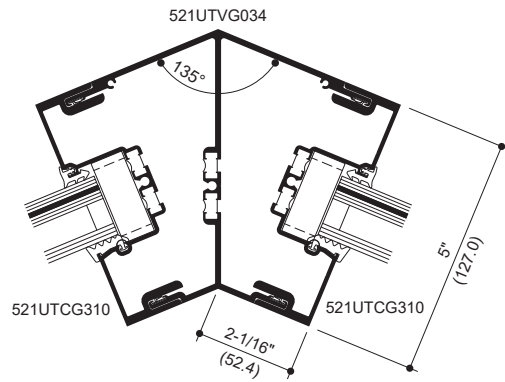
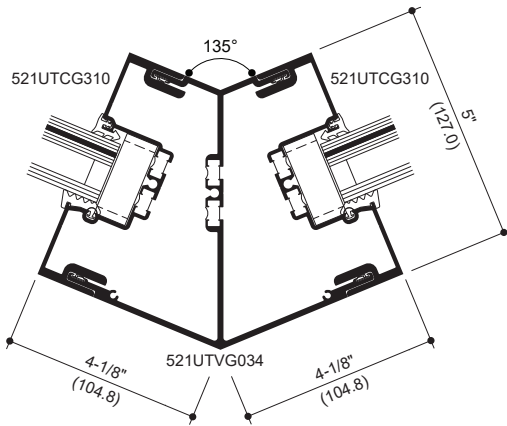
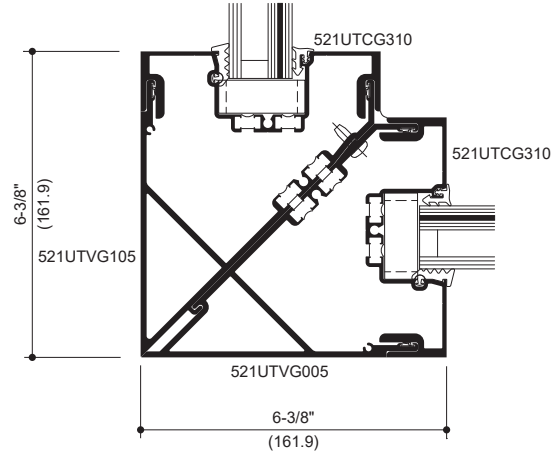
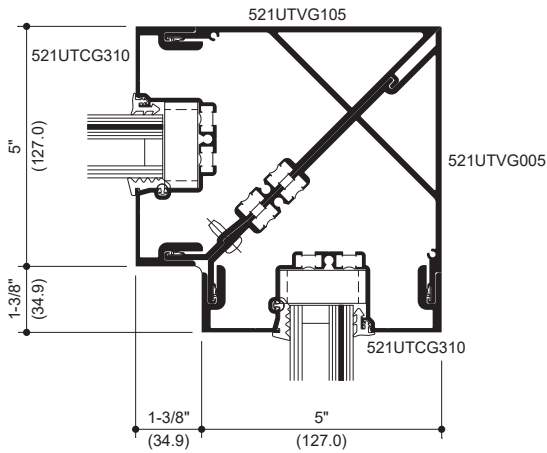
Laws and building and safety codes governing the design and use of Kawneer products, such as glazed entrance, window, and curtain wall products, vary widely. Kawneer does not control the selection of product configurations, operating hardware, or glazing materials, and assumes no responsibility therefor.

Kawneer reserves the right to change configuration without prior notice when deemed necessary for product improvement.  
© 2024, Kawneer Company, Inc.



Additional information and CAD details are available at [www.kawneer.com](http://www.kawneer.com)

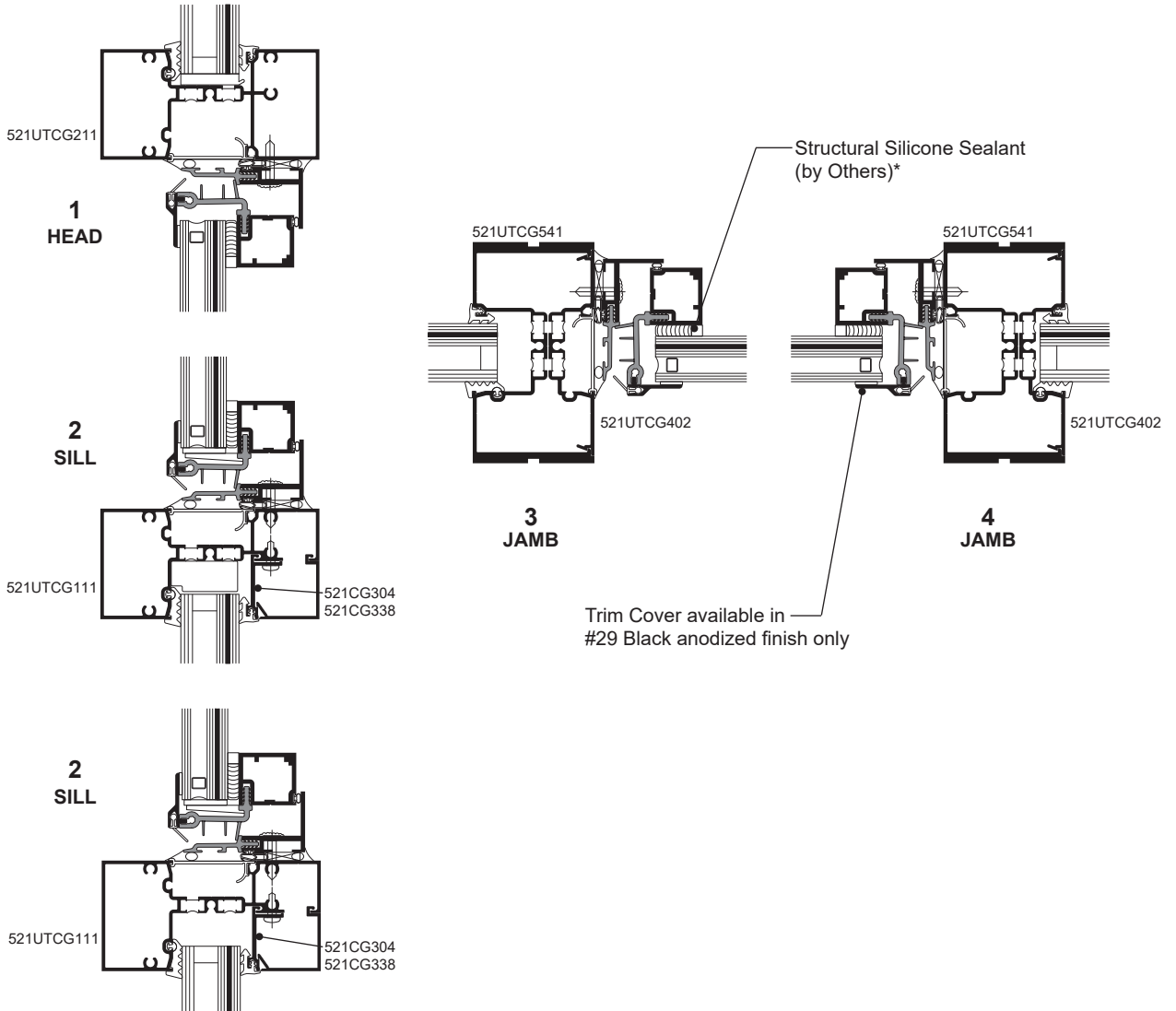
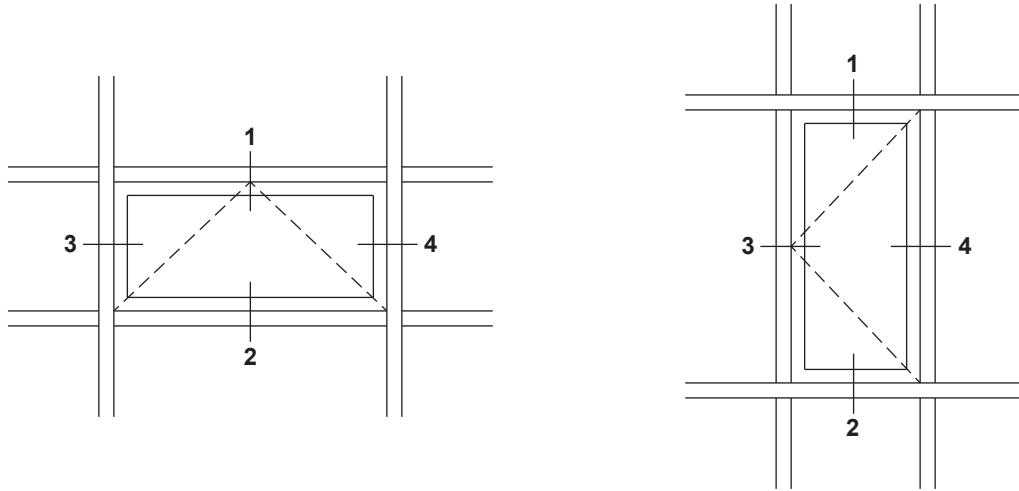
## 1-5/16" INFILL (PRE GLAZED - DRY GLAZED)



Laws and building and safety codes governing the design and use of Kawneer products, such as glazed entrance, window, and curtain wall products, vary widely. Kawneer does not control the selection of product configurations, operating hardware, or glazing materials, and assumes no responsibility therefor.

Kawneer reserves the right to change configuration without prior notice when deemed necessary for product improvement.  
© 2024, Kawneer Company, Inc.

## 1-5/16" INFILL (PRE GLAZED - DRY GLAZED)



\* **INSTALLER NOTE:** Installer is responsible for all required compatibility review and approvals with the Structural Silicone, Structural Glazing Tape, and Insulating Glass Unit Manufacturers.

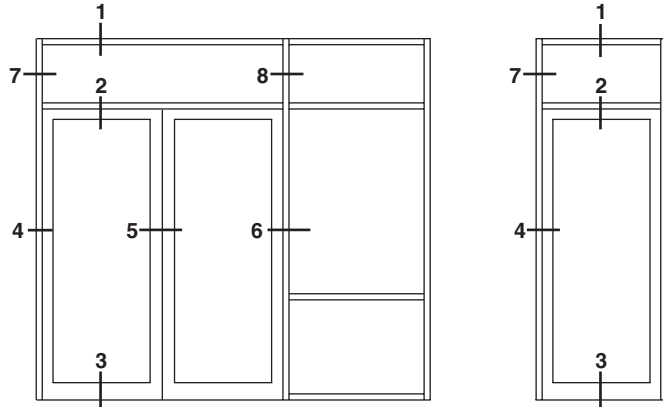
Laws and building and safety codes governing the design and use of Kawneer products, such as glazed entrance, window, and curtain wall products, vary widely. Kawneer does not control the selection of product configurations, operating hardware, or glazing materials, and assumes no responsibility therefor.

Kawneer reserves the right to change configuration without prior notice when deemed necessary for product improvement.  
© 2024, Kawneer Company, Inc.

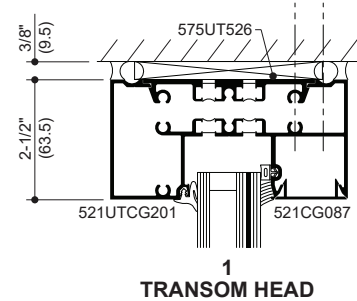


Additional information and CAD details are available at [www.kawneer.com](http://www.kawneer.com)

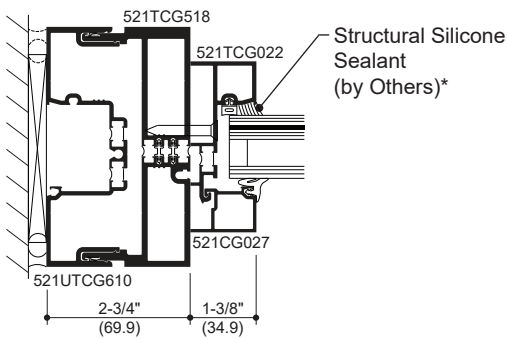
IR 521UT FRAMING INCORPORATING KAWNEER 350T INSULPOUR® DOORS.  
SEE 350T/500T INSULPOUR® ENTRANCES FOR ADDITIONAL DOOR AND ENTRANCE FRAMING OPTIONS.



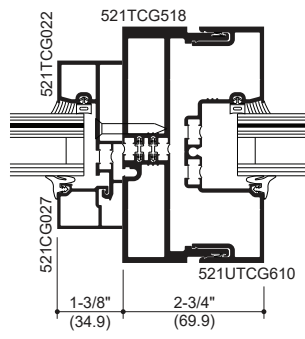
ELEVATION IS NUMBER KEYED TO DETAILS



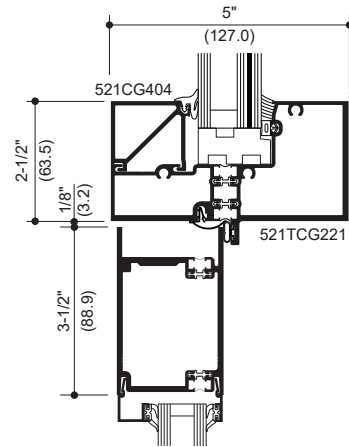
1  
TRANSOM HEAD



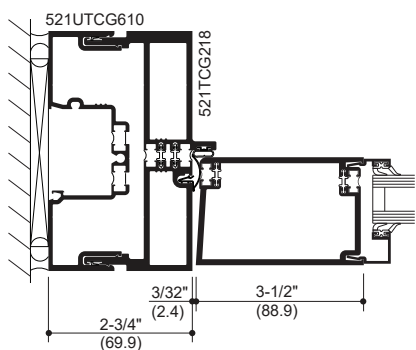
7  
DOOR JAMB  
AT TRANSOM



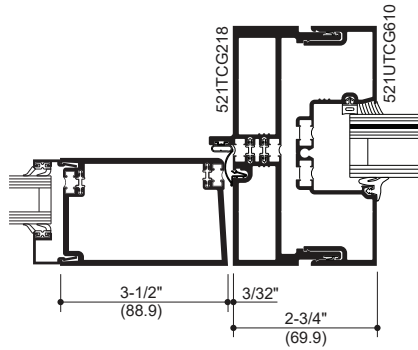
8  
DOOR JAMB  
AT TRANSOM



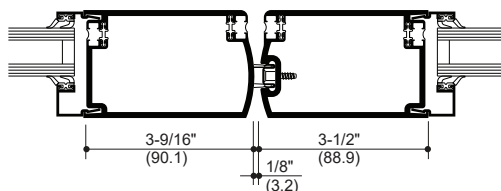
2  
DOOR WITH TRANSOM  
Transom for C.O.C. also available



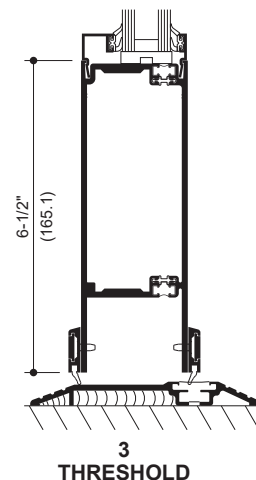
4  
DOOR JAMB



6  
DOOR JAMB



5  
PAIR OF DOORS



3  
THRESHOLD

\* INSTALLER NOTE: Installer is responsible for all required compatibility review and approvals with the Structural Silicone Manufacturer and the Insulating Glass Unit Manufacturer.

Laws and building and safety codes governing the design and use of Kawneer products, such as glazed entrance, window, and curtain wall products, vary widely. Kawneer does not control the selection of product configurations, operating hardware, or glazing materials, and assumes no responsibility therefor.

Kawneer reserves the right to change configuration without prior notice when deemed necessary for product improvement.  
© 2024, Kawneer Company, Inc.

## WIND LOAD CHARTS

Mullions are designed for deflection limitations in accordance with AAMA TIR-A11 of L/175 up to 13' 6" and L/240 +1/4" above 13' 6". These curves are for mullions WITH HORIZONTALS and are based on engineering calculations for stress and deflection. Allowable wind load stress for ALUMINUM 15,152 psi (104MPa), STEEL 30,000 psi (207MPa). Charted curves, in all cases are for the limiting value. Wind load charts contained herein are based upon nominal wind load utilized in allowable stress design. A conversion from Load Resistance Factor Design (LRFD) is provided. To convert ultimate wind loads to nominal loads, multiply ultimate wind loads by a factor of 0.6 per ASCE/SEI 7. A 4/3 increase in allowable stress has not been used to develop these curves. For special situations not covered by these curves, contact your Kawneer representative for additional information.

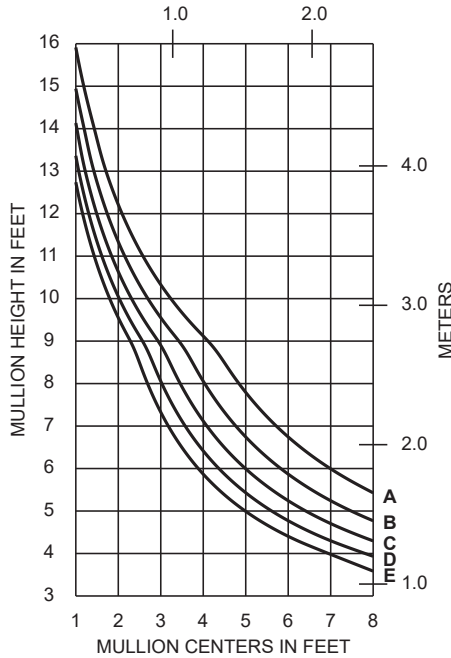
## DEADLOAD CHARTS

Horizontal or deadload limitations are based upon 1/8" (3.2), maximum allowable deflection at the center of an intermediate horizontal member. The accompanying charts are calculated for 1-5/16" (33.3) thick insulated impact resistant glass supported on two setting blocks placed at the loading points shown.

 HURRICANE RESISTANT PRODUCT

	Allowable Stress Design Load	LRFD Ultimate Design Load
A =	50 PSF (2400)	83 PSF (4000)
B =	60 PSF (2880)	100 PSF (4790)
C =	70 PSF (3360)	117 PSF (5600)
D =	80 PSF (3830)	133 PSF (6380)
E =	90 PSF (4310)	150 PSF (7200)

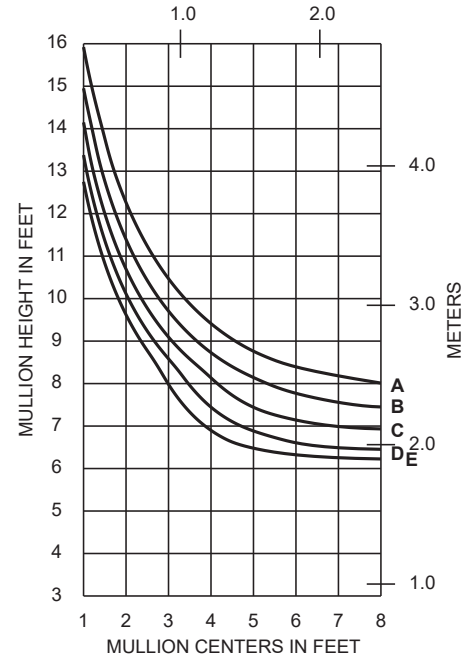
**521UTCG141 WITH HORIZONTALS**  
METERS



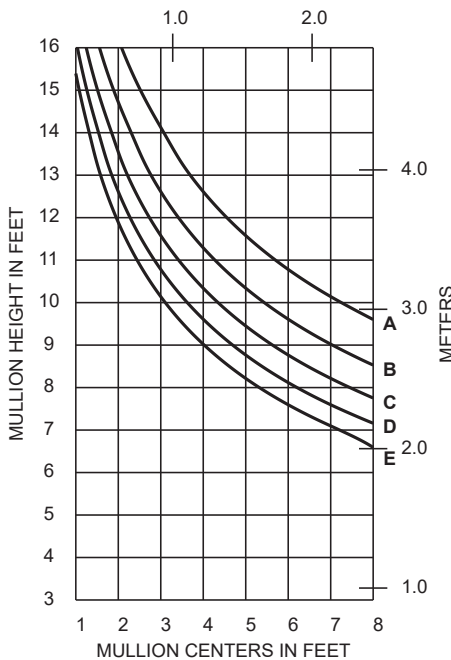
**521UTCG141**

WIND LOAD CHARTS ARE BASED ON COMPOSITE PROPERTIES WHICH ARE CALCULATED IN ACCORDANCE WITH AAMA TIR-8 AND AAMA 505

**521UTCG141 WITHOUT HORIZONTALS**  
METERS



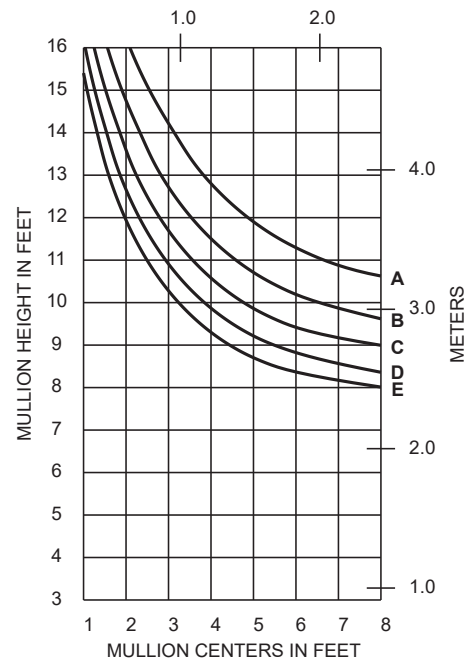
**521UTCG309 & 521UTCG310 WITH HORIZONTALS**  
METERS



**521UTCG309 / 521UTCG310**

WIND LOAD CHARTS ARE BASED ON COMPOSITE PROPERTIES WHICH ARE CALCULATED IN ACCORDANCE WITH AAMA TIR-8 AND AAMA 505

**521UTCG309 & 521UTCG310 WITHOUT HORIZONTALS**  
METERS

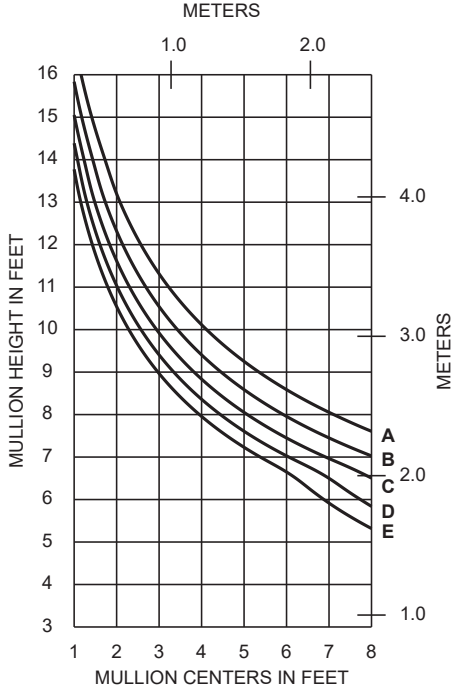


Laws and building and safety codes governing the design and use of Kawneer products, such as glazed entrance, window, and curtain wall products, vary widely. Kawneer does not control the selection of product configurations, operating hardware, or glazing materials, and assumes no responsibility therefor.

Kawneer reserves the right to change configuration without prior notice when deemed necessary for product improvement.  
© 2024, Kawneer Company, Inc.

	Allowable Stress Design Load	LRFD Ultimate Design Load
A =	50 PSF (2400)	83 PSF (4000)
B =	60 PSF (2880)	100 PSF (4790)
C =	70 PSF (3360)	117 PSF (5600)
D =	80 PSF (3830)	133 PSF (6380)
E =	90 PSF (4310)	150 PSF (7200)

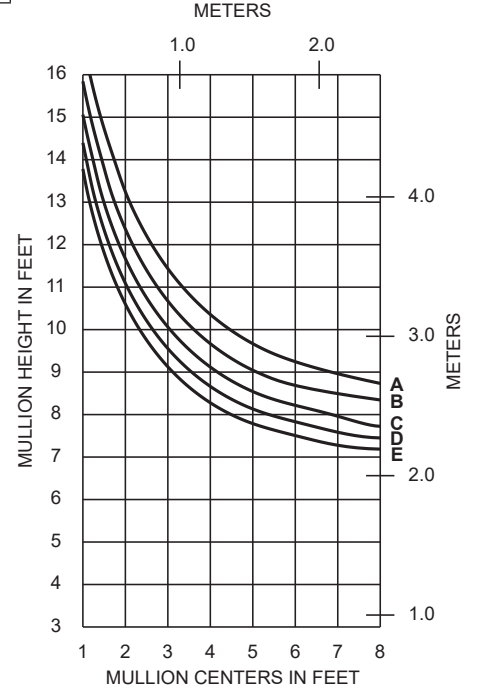
**521UTCG240 & 521UTCG340 WITH HORIZONTALS**



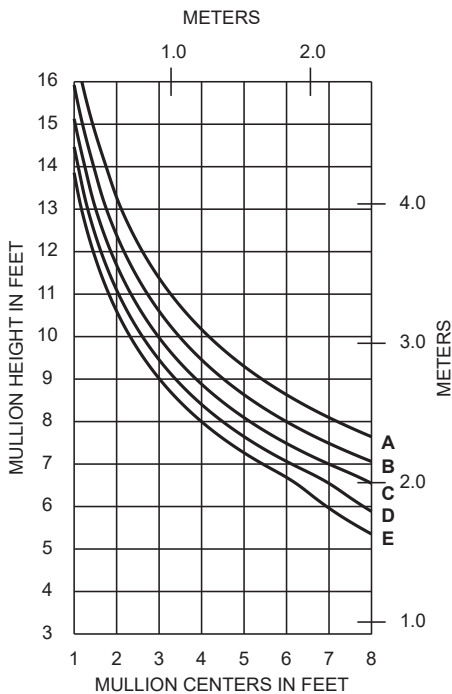
**521UTCG240 / 521UTCG340**

WIND LOAD CHARTS ARE BASED ON COMPOSITE PROPERTIES WHICH ARE CALCULATED IN ACCORDANCE WITH AAMA TIR-8 AND AAMA 505

**521UTCG240 & 521UTCG340 WITHOUT HORIZONTALS**



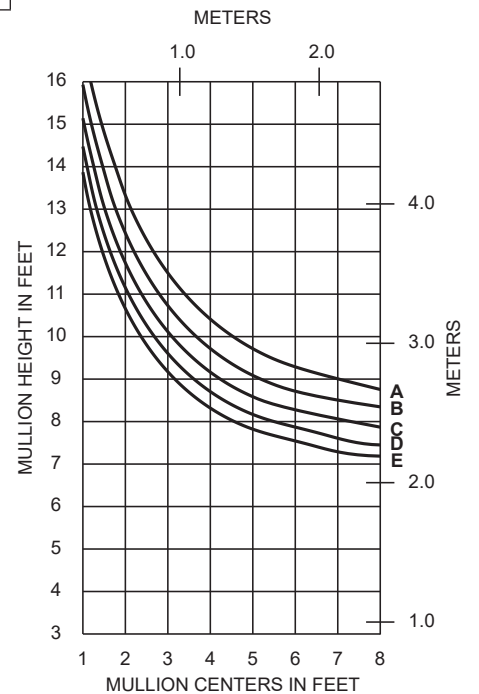
**521UTCG540 & 521UTCG340 WITH HORIZONTALS**



**521UTCG540 / 521UTCG340**

WIND LOAD CHARTS ARE BASED ON COMPOSITE PROPERTIES WHICH ARE CALCULATED IN ACCORDANCE WITH AAMA TIR-8 AND AAMA 505

**521UTCG540 & 521UTCG340 WITHOUT HORIZONTALS**



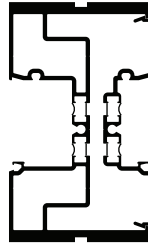
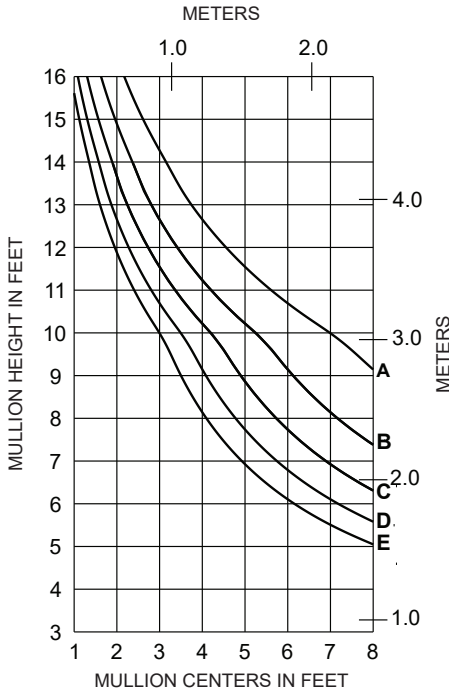
Laws and building and safety codes governing the design and use of Kawneer products, such as glazed entrance, window, and curtain wall products, vary widely. Kawneer does not control the selection of product configurations, operating hardware, or glazing materials, and assumes no responsibility therefor.

Kawneer reserves the right to change configuration without prior notice when deemed necessary for product improvement.  
© 2024, Kawneer Company, Inc.



	Allowable Stress Design Load	LRFD Ultimate Design Load
A =	50 PSF (2400)	83 PSF (4000)
B =	60 PSF (2880)	100 PSF (4790)
C =	70 PSF (3360)	117 PSF (5600)
D =	80 PSF (3830)	133 PSF (6380)
E =	90 PSF (4310)	150 PSF (7200)

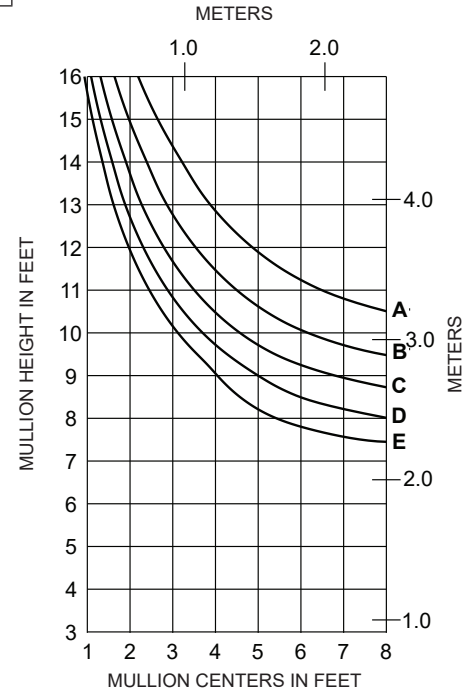
521UTCG413 & 521UTCG402 WITH HORIZONTALS



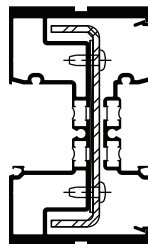
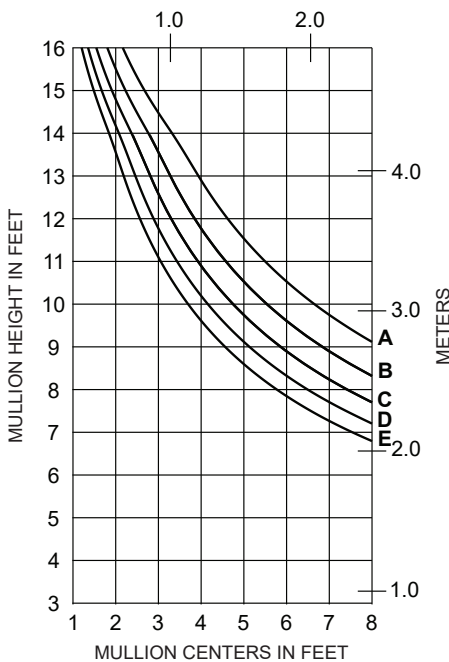
521UTCG413 / 521UTCG402

WIND LOAD CHARTS ARE BASED ON COMPOSITE PROPERTIES WHICH ARE CALCULATED IN ACCORDANCE WITH AAMA TIR-8 AND AAMA 505

521UTCG413 & 521UTCG402 WITHOUT HORIZONTALS



521UTCG413 & 521UTCG402 WITH STEEL WITH HORIZONTALS

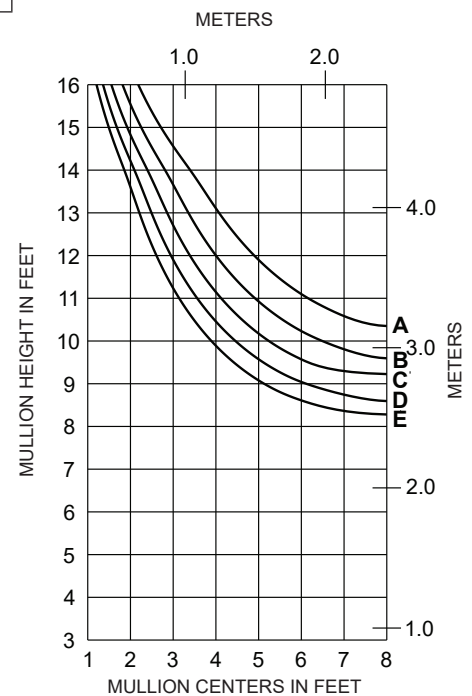


521UTCG413 / 521UTCG402 WITH 575300 STEEL

575300 STEEL  
 $I_A = 1.684 \text{ in}^4 (80.54 \times 10^4 \text{ mm}^4)$   
 $S_A = 0.804 \text{ in}^3 (15.37 \times 10^3 \text{ mm}^3)$

WIND LOAD CHARTS ARE BASED ON COMPOSITE PROPERTIES WHICH ARE CALCULATED IN ACCORDANCE WITH AAMA TIR-8 AND AAMA 505

521UTCG413 & 521UTCG402 WITH STEEL WITHOUT HORIZONTALS



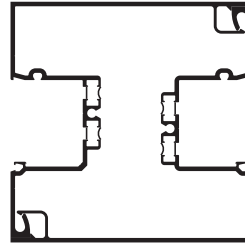
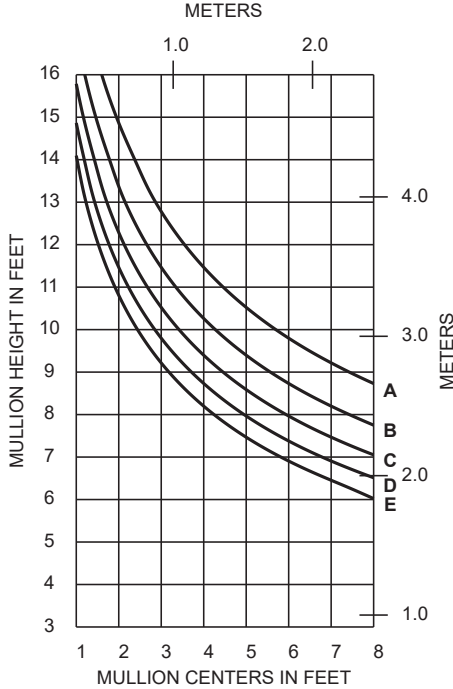
Laws and building and safety codes governing the design and use of Kawneer products, such as glazed entrance, window, and curtain wall products, vary widely. Kawneer does not control the selection of product configurations, operating hardware, or glazing materials, and assumes no responsibility therefor.

Kawneer reserves the right to change configuration without prior notice when deemed necessary for product improvement.  
 © 2024, Kawneer Company, Inc.



	Allowable Stress Design Load	LRFD Ultimate Design Load
A =	30 PSF (1440)	50 PSF (2400)
B =	40 PSF (1920)	67 PSF (3200)
C =	50 PSF (2400)	83 PSF (4000)
D =	60 PSF (2880)	100 PSF (4790)
E =	70 PSF (3360)	117 PSF (5600)

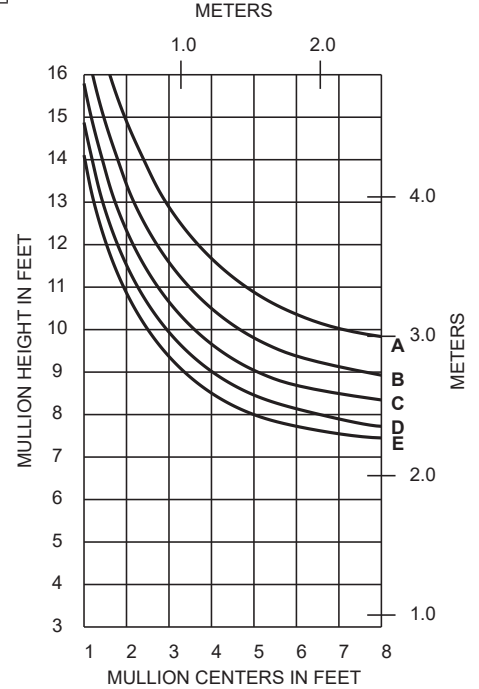
521UTCG316 & 521UTCG116 WITH HORIZONTALS



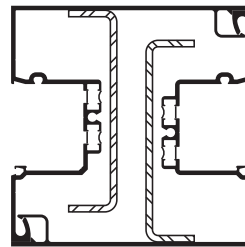
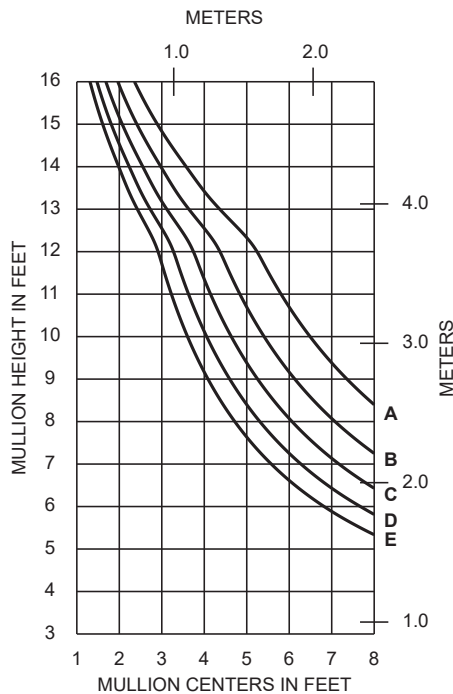
521UTCG316 / 521UTCG116

WIND LOAD CHARTS ARE BASED ON COMPOSITE PROPERTIES WHICH ARE CALCULATED IN ACCORDANCE WITH AAMA TIR-8 AND AAMA 505

521UTCG316 & 521UTCG116 WITHOUT HORIZONTALS



521UTCG316 & 521UTCG116 WITH STEEL WITH HORIZONTALS

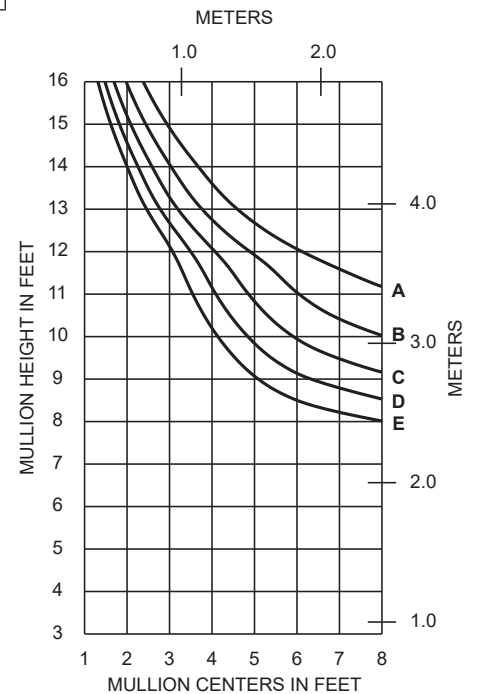


521UTCG316 / 521UTCG116 WITH 575300 STEEL

575300 STEEL  
 $I_A$  1.664 (80.54 x 10<sup>4</sup>)  
 $S_A$  0.804 (15.37 x 10<sup>3</sup>)

WIND LOAD CHARTS ARE BASED ON COMPOSITE PROPERTIES WHICH ARE CALCULATED IN ACCORDANCE WITH AAMA TIR-8 AND AAMA 505

521UTCG316 & 521UTCG116 WITH STEEL WITHOUT HORIZONTALS



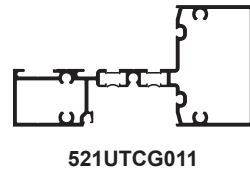
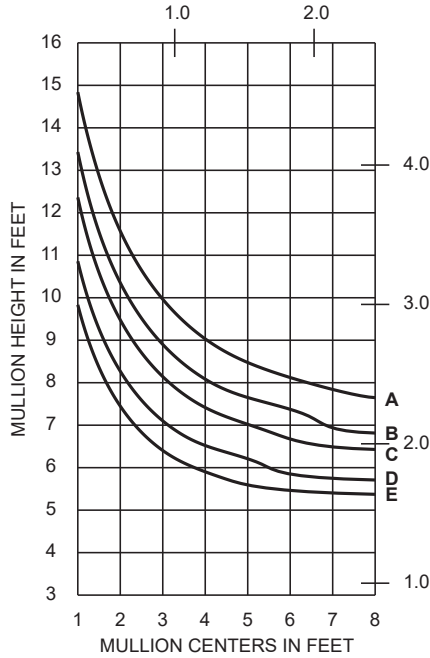
Laws and building and safety codes governing the design and use of Kawneer products, such as glazed entrance, window, and curtain wall products, vary widely. Kawneer does not control the selection of product configurations, operating hardware, or glazing materials, and assumes no responsibility therefor.

Kawneer reserves the right to change configuration without prior notice when deemed necessary for product improvement.  
 © 2024, Kawneer Company, Inc.

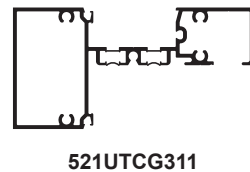
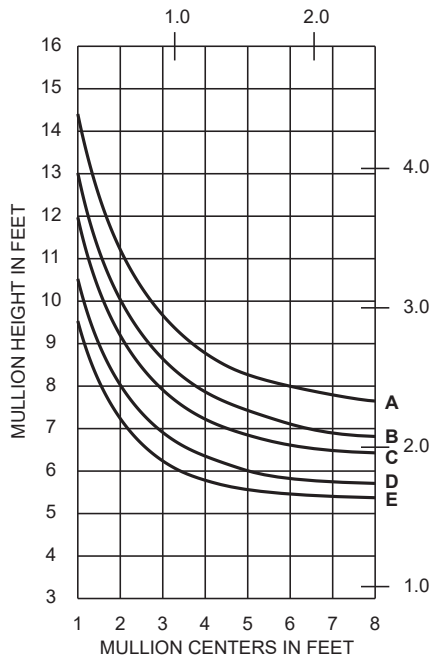
 HURRICANE RESISTANT PRODUCT

	Allowable Stress Design Load	LRFD Ultimate Design Load
A =	30 PSF (1440)	50 PSF (2400)
B =	40 PSF (1920)	67 PSF (3200)
C =	50 PSF (2400)	83 PSF (4000)
D =	70 PSF (3360)	117 PSF (5600)
E =	90 PSF (4310)	150 PSF (7200)

**521UTCG011**  
SINGLE SPAN  
METERS



**521UTCG311**  
SINGLE SPAN  
METERS

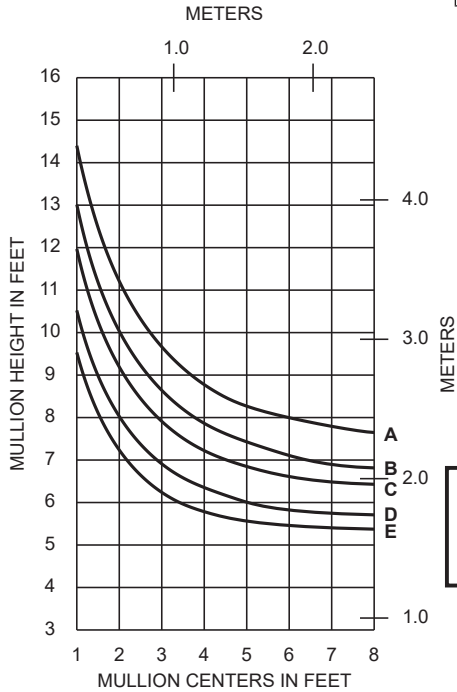


Laws and building and safety codes governing the design and use of Kawneer products, such as glazed entrance, window, and curtain wall products, vary widely. Kawneer does not control the selection of product configurations, operating hardware, or glazing materials, and assumes no responsibility therefor.

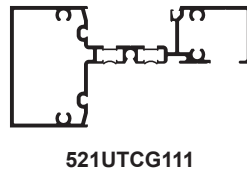
Kawneer reserves the right to change configuration without prior notice when deemed necessary for product improvement.  
© 2024, Kawneer Company, Inc.

	Allowable Stress Design Load	LRFD Ultimate Design Load
A =	30 PSF (1440)	50 PSF (2400)
B =	40 PSF (1920)	67 PSF (3200)
C =	50 PSF (2400)	83 PSF (4000)
D =	70 PSF (3360)	117 PSF (5600)
E =	90 PSF (4310)	150 PSF (7200)

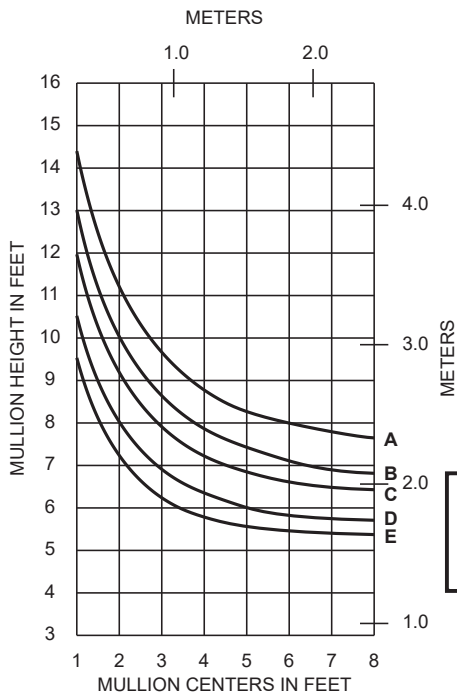
**521UTCG111**  
SINGLE SPAN



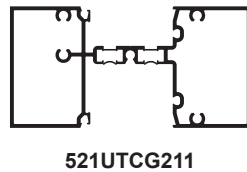
WIND LOAD CHARTS ARE BASED ON COMPOSITE PROPERTIES WHICH ARE CALCULATED IN ACCORDANCE WITH AAMA TIR-8 AND AAMA 505



**521UTCG211**  
SINGLE SPAN



WIND LOAD CHARTS ARE BASED ON COMPOSITE PROPERTIES WHICH ARE CALCULATED IN ACCORDANCE WITH AAMA TIR-8 AND AAMA 505



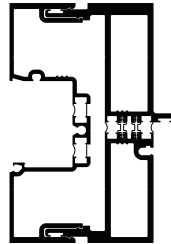
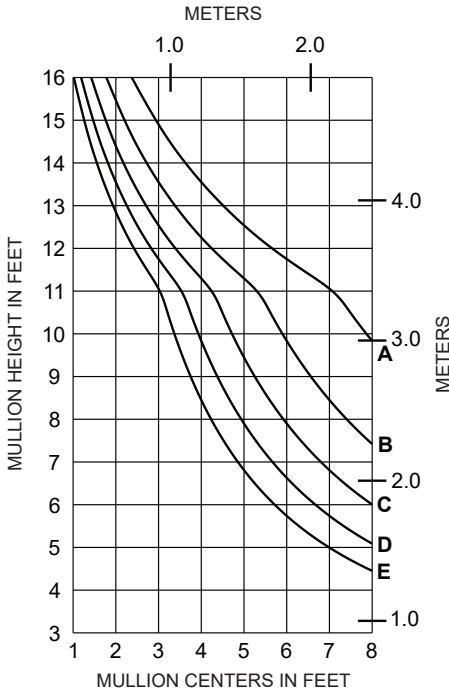
Laws and building and safety codes governing the design and use of Kawneer products, such as glazed entrance, window, and curtain wall products, vary widely. Kawneer does not control the selection of product configurations, operating hardware, or glazing materials, and assumes no responsibility therefor.

Kawneer reserves the right to change configuration without prior notice when deemed necessary for product improvement.  
© 2024, Kawneer Company, Inc.



	Allowable Stress Design Load	LRFD Ultimate Design Load
A =	50 PSF (2400)	83 PSF (4000)
B =	60 PSF (2880)	100 PSF (4790)
C =	70 PSF (3360)	117 PSF (5600)
D =	80 PSF (3830)	133 PSF (6380)
E =	90 PSF (4310)	150 PSF (7200)

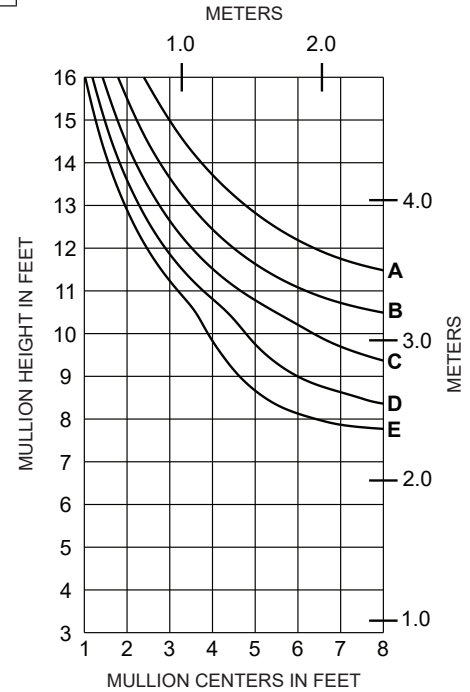
521UTCG610 & 521TCG218 WITH HORIZONTALS



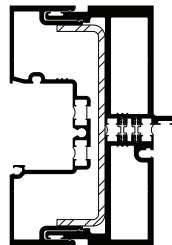
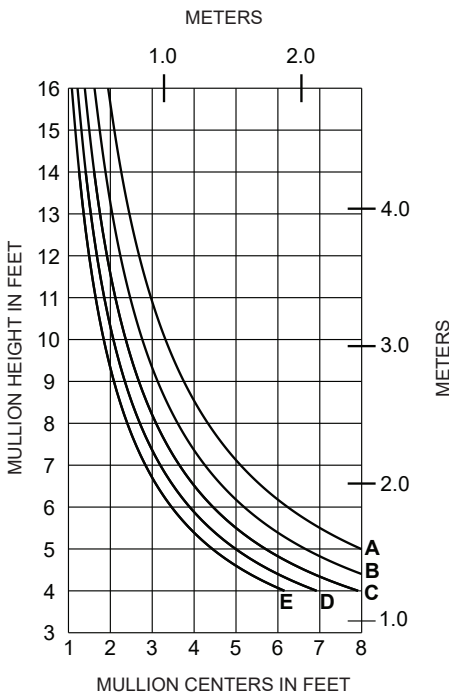
521UTCG610 / 521TCG218

WIND LOAD CHARTS ARE BASED ON COMPOSITE PROPERTIES WHICH ARE CALCULATED IN ACCORDANCE WITH AAMA TIR-8 AND AAMA 505

521UTCG610 & 521TCG218 WITHOUT HORIZONTALS



521UTCG610 & 521TCG218 WITH STEEL WITH HORIZONTALS

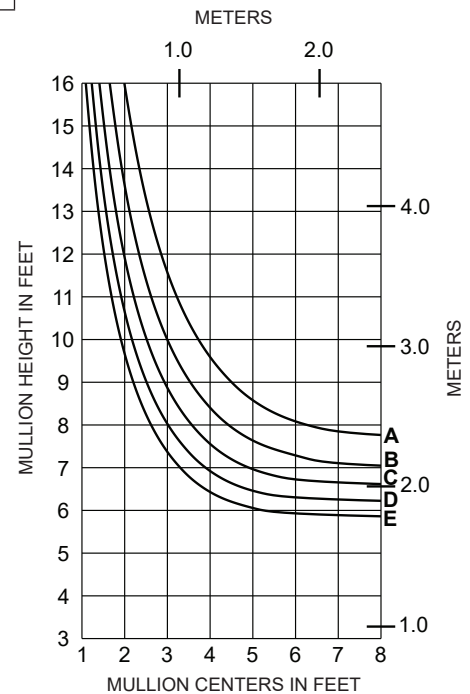


521UTCG610 / 521TCG218 WITH 575300 STEEL

575300 STEEL  
 $I_A$  1.664 ( $80.54 \times 10^4$ )  
 $S_A$  0.804 ( $15.37 \times 10^3$ )

WIND LOAD CHARTS ARE BASED ON COMPOSITE PROPERTIES WHICH ARE CALCULATED IN ACCORDANCE WITH AAMA TIR-8 AND AAMA 505

521UTCG610 & 521TCG218 WITH STEEL WITHOUT HORIZONTALS



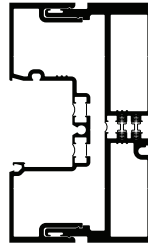
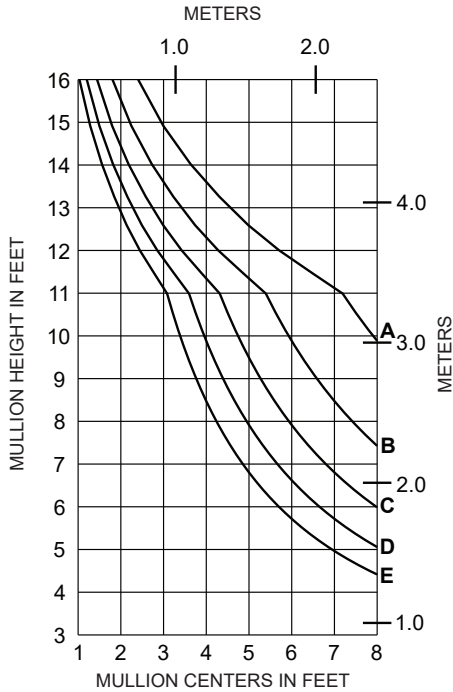
Laws and building and safety codes governing the design and use of Kawneer products, such as glazed entrance, window, and curtain wall products, vary widely. Kawneer does not control the selection of product configurations, operating hardware, or glazing materials, and assumes no responsibility therefor.

Kawneer reserves the right to change configuration without prior notice when deemed necessary for product improvement.  
 © 2024, Kawneer Company, Inc.



	Allowable Stress Design Load	LRFD Ultimate Design Load
A =	50 PSF (2400)	83 PSF (4000)
B =	60 PSF (2880)	100 PSF (4790)
C =	70 PSF (3360)	117 PSF (5600)
D =	80 PSF (3830)	133 PSF (6380)
E =	90 PSF (4310)	150 PSF (7200)

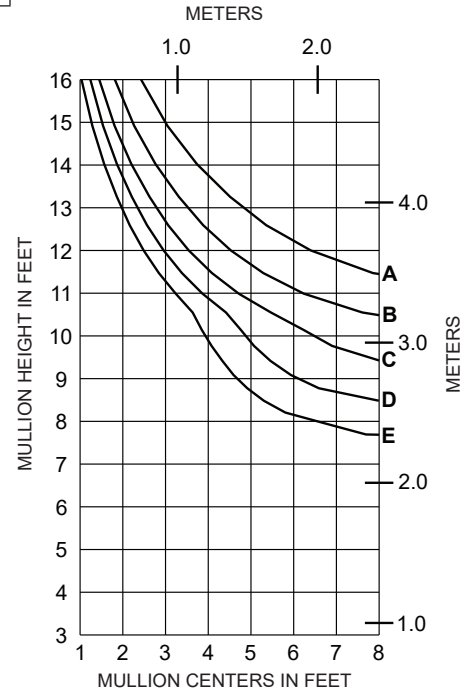
**521UTCG610 & 521TCG518 WITH HORIZONTALS**



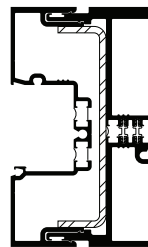
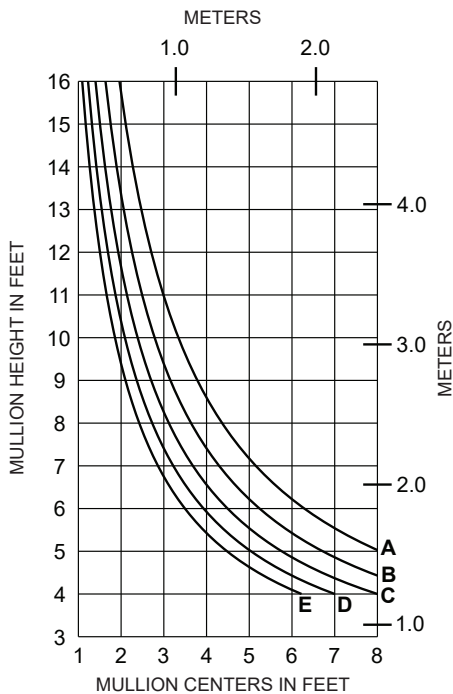
**521UTCG610 / 521TCG518**

WIND LOAD CHARTS ARE BASED ON COMPOSITE PROPERTIES WHICH ARE CALCULATED IN ACCORDANCE WITH AAMA TIR-8 AND AAMA 505

**521UTCG610 & 521TCG518 WITHOUT HORIZONTALS**



**521UTCG610 & 521TCG518 WITH STEEL WITH HORIZONTALS**

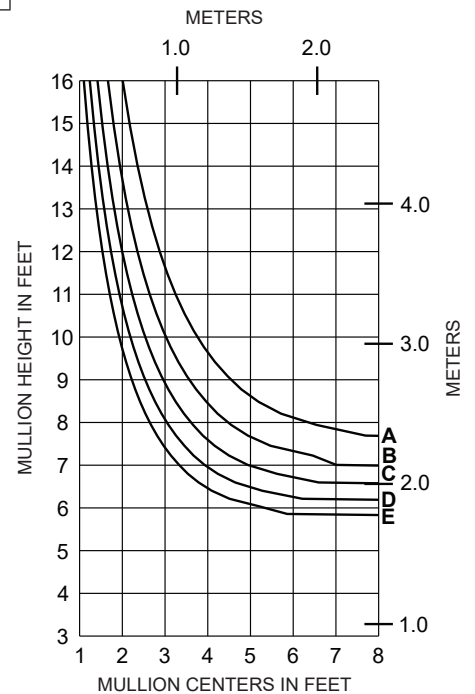


**521UTCG610 / 521TCG518 WITH 575300 STEEL**

575300 STEEL  
 $I_A$  1.664 (80.54 x 10<sup>4</sup>)  
 $S_A$  0.804 (15.37 x 10<sup>3</sup>)

WIND LOAD CHARTS ARE BASED ON COMPOSITE PROPERTIES WHICH ARE CALCULATED IN ACCORDANCE WITH AAMA TIR-8 AND AAMA 505

**521UTCG610 & 521TCG518 WITH STEEL WITHOUT HORIZONTALS**



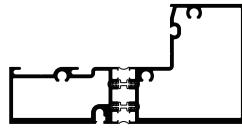
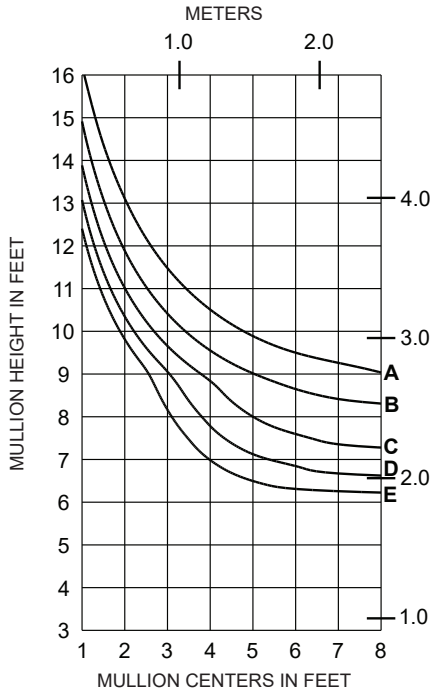
Laws and building and safety codes governing the design and use of Kawneer products, such as glazed entrance, window, and curtain wall products, vary widely. Kawneer does not control the selection of product configurations, operating hardware, or glazing materials, and assumes no responsibility therefor.

Kawneer reserves the right to change configuration without prior notice when deemed necessary for product improvement.  
 © 2024, Kawneer Company, Inc.

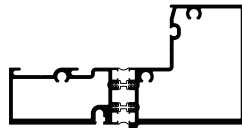
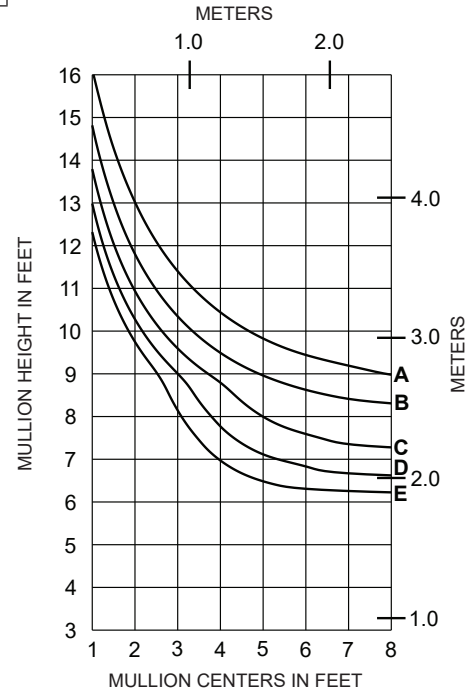
 HURRICANE RESISTANT PRODUCT

	Allowable Stress Design Load	LRFD Ultimate Design Load
A =	30 PSF (1440)	50 PSF (2400)
B =	40 PSF (1920)	67 PSF (3200)
C =	50 PSF (2400)	83 PSF (4000)
D =	60 PSF (2880)	100 PSF (4790)
E =	70 PSF (3360)	117 PSF (5600)

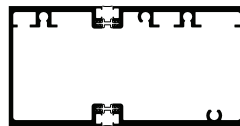
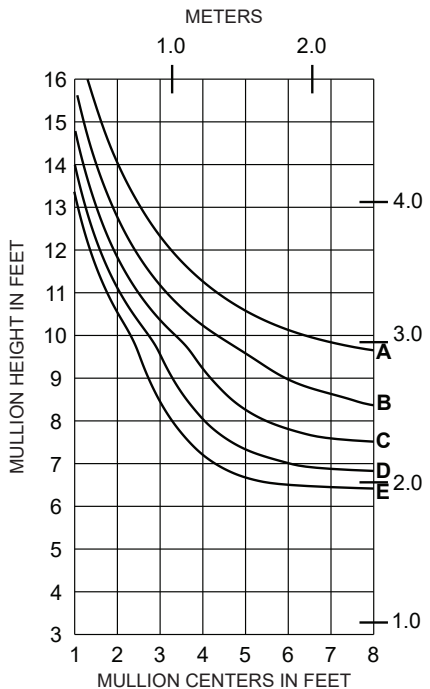
**521TCG221  
SINGLE SPAN**



**521TCG521  
SINGLE SPAN**



**521TCG079  
SINGLE SPAN**



WIND LOAD CHARTS ARE BASED ON COMPOSITE PROPERTIES WHICH ARE CALCULATED IN ACCORDANCE WITH AAMA TIR-8 AND AAMA 505

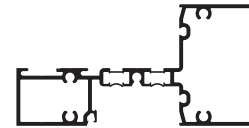
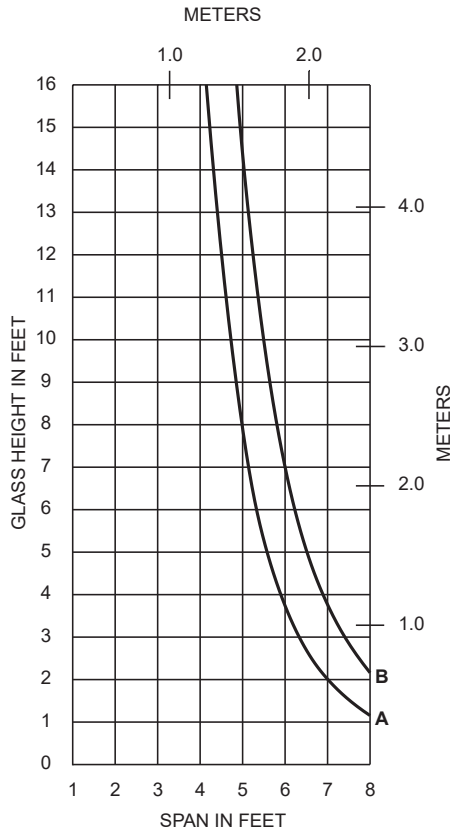
Laws and building and safety codes governing the design and use of Kawneer products, such as glazed entrance, window, and curtain wall products, vary widely. Kawneer does not control the selection of product configurations, operating hardware, or glazing materials, and assumes no responsibility therefor.

Kawneer reserves the right to change configuration without prior notice when deemed necessary for product improvement.  
© 2024, Kawneer Company, Inc.

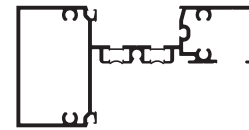


Horizontal or deadload limitations are based upon 1/8" (3.2), maximum allowable deflection at the center of an intermediate horizontal member. The accompanying charts are calculated for 1-5/16" (33.3) thick insulated impact resistant glass supported on two setting blocks placed at the loading points shown.

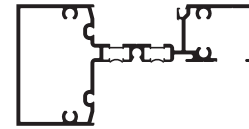
**A = (1/4 POINT LOADING)**  
**B = (1/8 POINT LOADING)**



521UTCG011



521UTCG311



521UTCG111

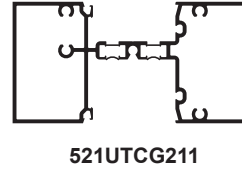
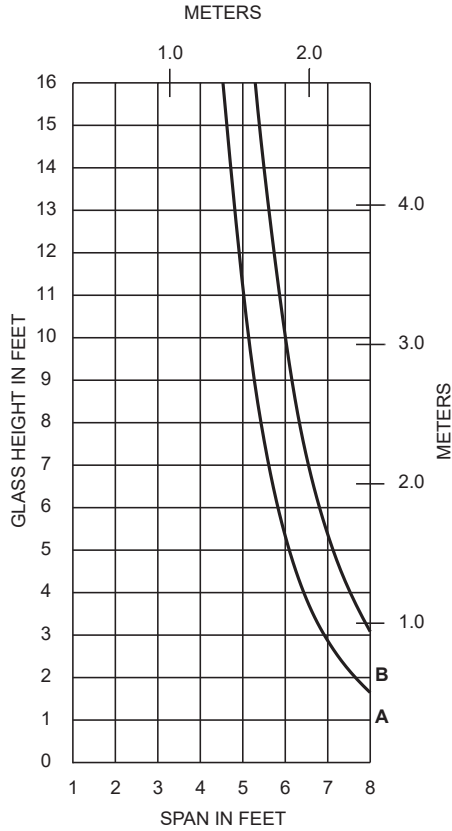
Laws and building and safety codes governing the design and use of Kawneer products, such as glazed entrance, window, and curtain wall products, vary widely. Kawneer does not control the selection of product configurations, operating hardware, or glazing materials, and assumes no responsibility therefor.

Kawneer reserves the right to change configuration without prior notice when deemed necessary for product improvement.  
© 2024, Kawneer Company, Inc.

 HURRICANE RESISTANT PRODUCT

Horizontal or deadload limitations are based upon 1/8" (3.2), maximum allowable deflection at the center of an intermediate horizontal member. The accompanying charts are calculated for 1-5/16" (33.3) thick insulated impact resistant glass supported on two setting blocks placed at the loading points shown.

**A = (1/4 POINT LOADING)**  
**B = (1/8 POINT LOADING)**



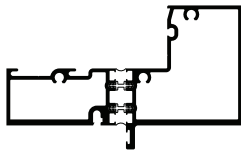
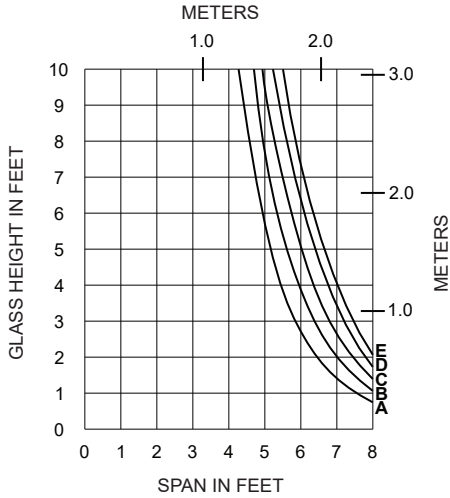
Laws and building and safety codes governing the design and use of Kawneer products, such as glazed entrance, window, and curtain wall products, vary widely. Kawneer does not control the selection of product configurations, operating hardware, or glazing materials, and assumes no responsibility therefor.

Kawneer reserves the right to change configuration without prior notice when deemed necessary for product improvement.  
 © 2024, Kawneer Company, Inc.

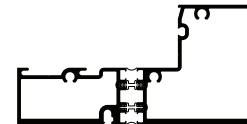
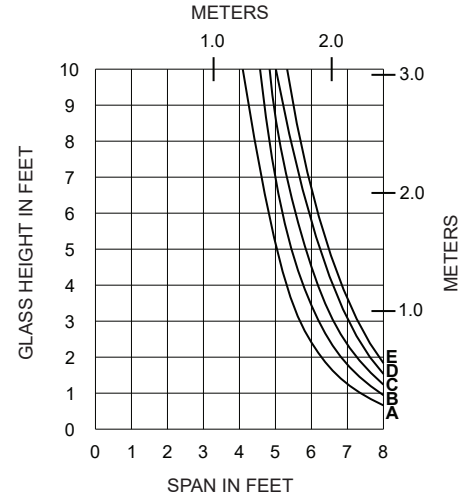


Horizontal or deadload limitations are based upon 1/16" (1.6), maximum allowable deflection at the center of an intermediate horizontal member. The accompanying charts are calculated for 1-5/16" (33.3) thick insulated impact resistant glass supported on two setting blocks placed at the loading points shown.

- A = (1/4 POINT LOADING)
- B = (1/6 POINT LOADING)
- C = (1/8 POINT LOADING)
- D = (1/10 POINT LOADING)
- E = (1/12 POINT LOADING)



521TCG221 (IR 521T)



521TCG521 (IR 521T)

SETTING BLOCK LOCATIONS EXAMPLE (96" DLO)		
CURVE DESIGNATION	OFFSET	DISTANCE FROM JAMBS
A	1/4 POINT	24"
B	1/6 POINT	16"
C	1/8 POINT	12"
D	1/10 POINT	9"
E	1/12 POINT	8"

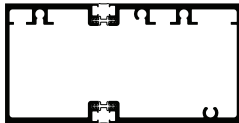
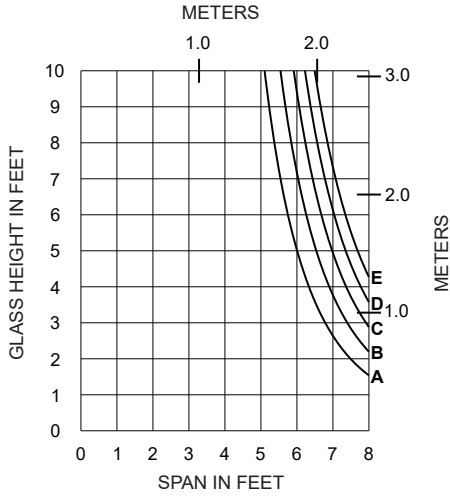
Laws and building and safety codes governing the design and use of Kawneer products, such as glazed entrance, window, and curtain wall products, vary widely. Kawneer does not control the selection of product configurations, operating hardware, or glazing materials, and assumes no responsibility therefor.

Kawneer reserves the right to change configuration without prior notice when deemed necessary for product improvement.  
© 2024, Kawneer Company, Inc.



Horizontal or deadload limitations are based upon 1/16" (1.6), maximum allowable deflection at the center of an intermediate horizontal member. The accompanying charts are calculated for 1-5/16" (33.3) thick insulated impact resistant glass supported on two setting blocks placed at the loading points shown.

- A = (1/4 POINT LOADING)**
- B = (1/6 POINT LOADING)**
- C = (1/8 POINT LOADING)**
- D = (1/10 POINT LOADING)**
- E = (1/12 POINT LOADING)**



**521TCG079 (IR 521T)**

SETTING BLOCK LOCATIONS EXAMPLE (96" DLO)		
CURVE DESIGNATION	OFFSET	DISTANCE FROM JAMBS
A	1/4 POINT	24"
B	1/6 POINT	16"
C	1/8 POINT	12"
D	1/10 POINT	9"
E	1/12 POINT	8"

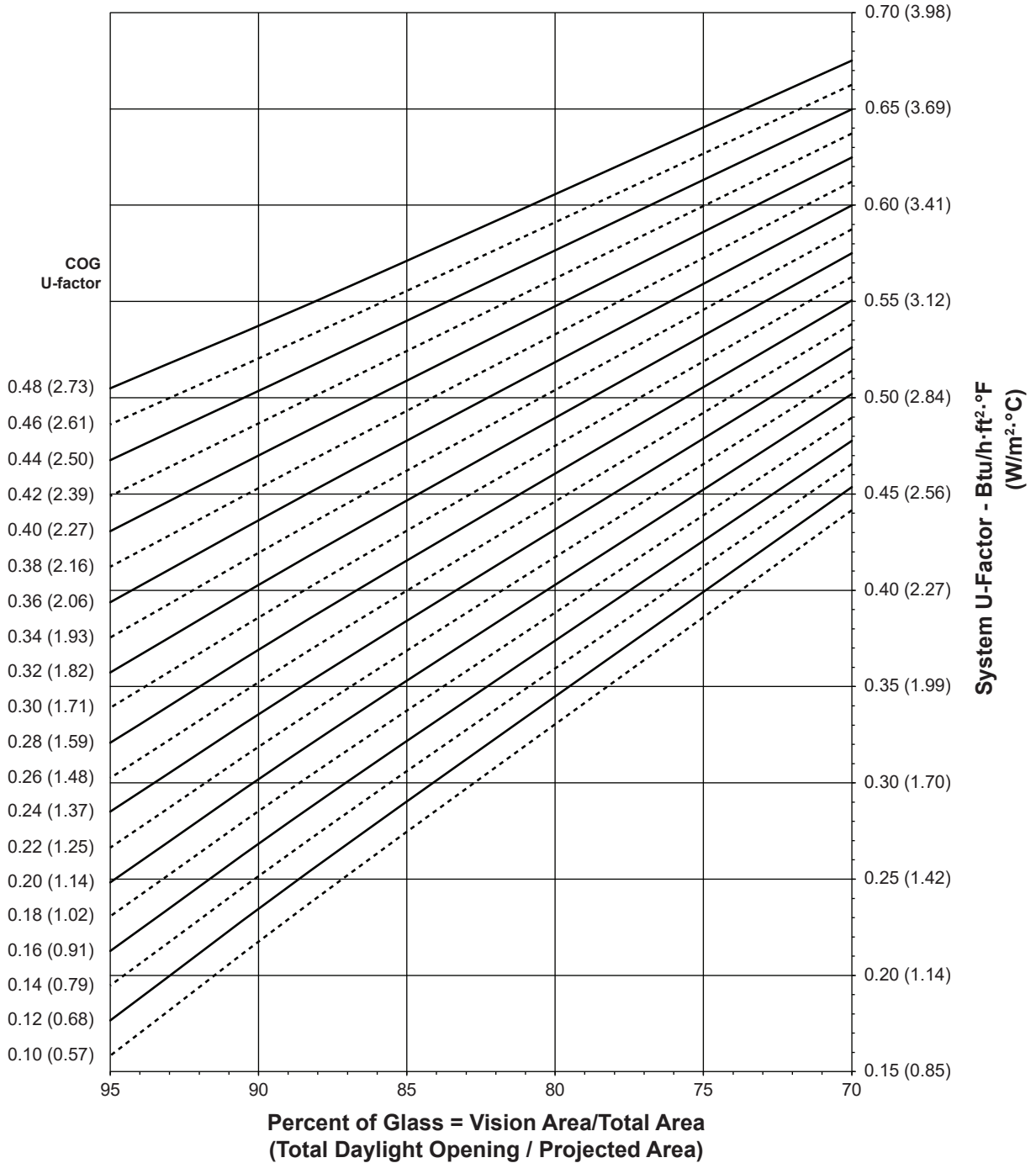
Laws and building and safety codes governing the design and use of Kawneer products, such as glazed entrance, window, and curtain wall products, vary widely. Kawneer does not control the selection of product configurations, operating hardware, or glazing materials, and assumes no responsibility therefor.

Kawneer reserves the right to change configuration without prior notice when deemed necessary for product improvement.  
© 2024, Kawneer Company, Inc.

Note:  
 Values in parentheses are metric.  
 COG=Center of Glass.  
 Charts are generated per AAMA 507.

**IR 521UT Framing System**

**System U-Factor for Vision Glass**



**Notes for System U-factor, SHGC and VT charts:**

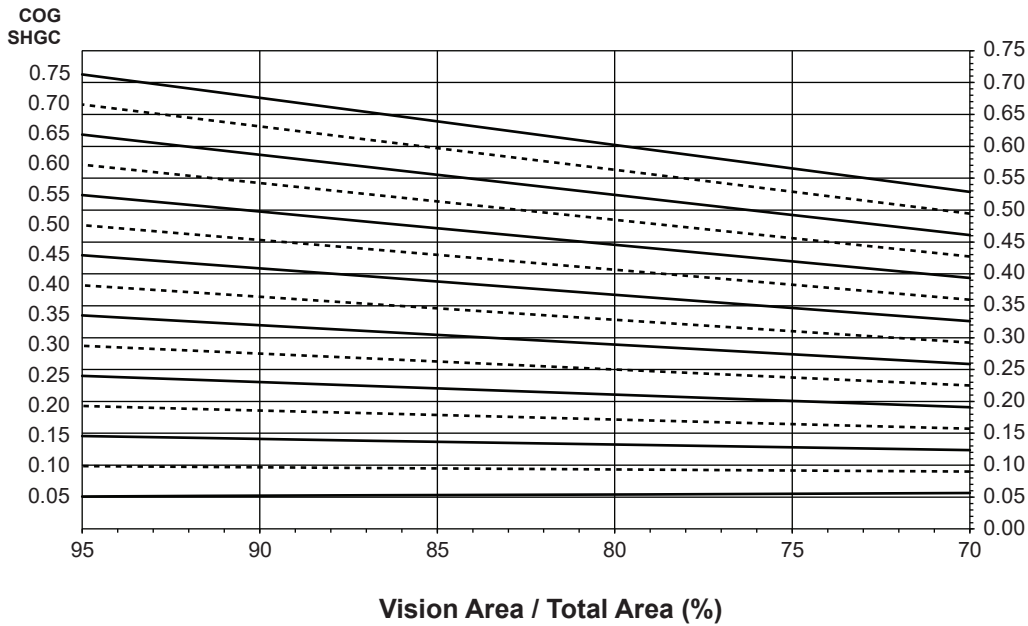
For glass values that are not listed, linear interpolation is permitted.  
 Glass properties are based on center of glass values and are obtained from your glass supplier.

Laws and building and safety codes governing the design and use of Kawneer products, such as glazed entrance, window, and curtain wall products, vary widely. Kawneer does not control the selection of product configurations, operating hardware, or glazing materials, and assumes no responsibility therefor.

Kawneer reserves the right to change configuration without prior notice when deemed necessary for product improvement.  
 © 2024, Kawneer Company, Inc.

## IR 521UT Framing System

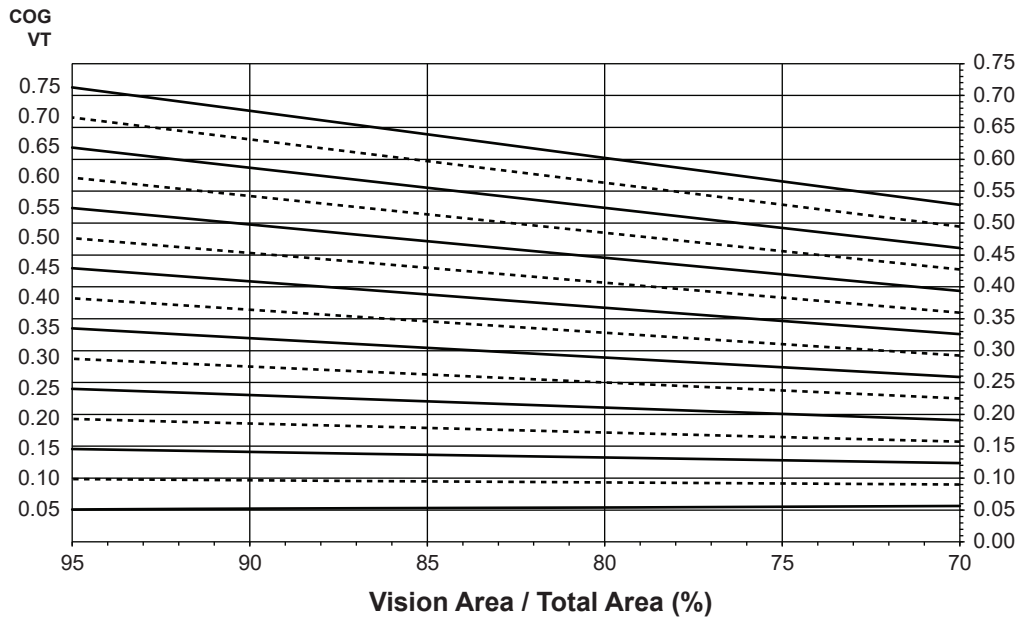
### System Solar Heat Gain Coefficient (SHGC) vs Percent of Vision Area



Charts are generated per AAMA 507.

System SHGC

### System Visible Transmittance (VT) vs Percent of Vision Area



Charts are generated per AAMA 507.

System VT

Laws and building and safety codes governing the design and use of Kawneer products, such as glazed entrance, window, and curtain wall products, vary widely. Kawneer does not control the selection of product configurations, operating hardware, or glazing materials, and assumes no responsibility therefor.

Kawneer reserves the right to change configuration without prior notice when deemed necessary for product improvement.  
© 2024, Kawneer Company, Inc.

**IR 521UT Framing System**

**Thermal Transmittance <sup>1</sup> (BTU/hr • ft <sup>2</sup> • °F)**

Glass U-Factor <sup>3</sup>	Overall U-Factor <sup>4</sup>
0.48	0.56
0.46	0.54
0.44	0.53
0.42	0.51
0.40	0.49
0.38	0.48
0.36	0.46
0.34	0.45
0.32	0.43
0.30	0.41
0.28	0.40
0.26	0.38
0.24	0.37
0.22	0.35
0.20	0.33
0.18	0.32
0.16	0.30
0.14	0.29
0.12	0.27
0.10	0.25

**NOTE:** For glass values that are not listed, linear interpolation is permitted.

1. U-Factors are determined in accordance with NFRC 100.
2. SHGC and VT values are determined in accordance with NFRC 200.
3. Glass properties are based on center of glass values and are obtained from your glass supplier.
4. Overall U-Factor, SHGC, and VT Matricies are based on the standard NFRC specimen size of 2,000 mm wide by 2,000 mm high (78-3/4" by 78-3/4").

**SHGC Matrix <sup>2</sup>**

Glass SHGC <sup>3</sup>	Overall SHGC <sup>4</sup>
0.75	0.65
0.70	0.61
0.65	0.57
0.60	0.52
0.55	0.48
0.50	0.44
0.45	0.40
0.40	0.35
0.35	0.31
0.30	0.27
0.25	0.22
0.20	0.18
0.15	0.14
0.10	0.10
0.05	0.05

**Visible Transmittance <sup>2</sup>**

Glass VT <sup>3</sup>	Overall VT <sup>4</sup>
0.75	0.64
0.70	0.60
0.65	0.56
0.60	0.51
0.55	0.47
0.50	0.43
0.45	0.39
0.40	0.34
0.35	0.30
0.30	0.26
0.25	0.21
0.20	0.17
0.15	0.13
0.10	0.09
0.05	0.04

Laws and building and safety codes governing the design and use of Kawneer products, such as glazed entrance, window, and curtain wall products, vary widely. Kawneer does not control the selection of product configurations, operating hardware, or glazing materials, and assumes no responsibility therefor.

Kawneer reserves the right to change configuration without prior notice when deemed necessary for product improvement.  
© 2024, Kawneer Company, Inc.



Laws and building and safety codes governing the design and use of Kawneer products, such as glazed entrance, window, and curtain wall products, vary widely. Kawneer does not control the selection of product configurations, operating hardware, or glazing materials, and assumes no responsibility therefor.

Kawneer reserves the right to change configuration without prior notice when deemed necessary for product improvement.  
© 2024, Kawneer Company, Inc.